



WAUSAU

WINDOW AND WALL
SYSTEMS

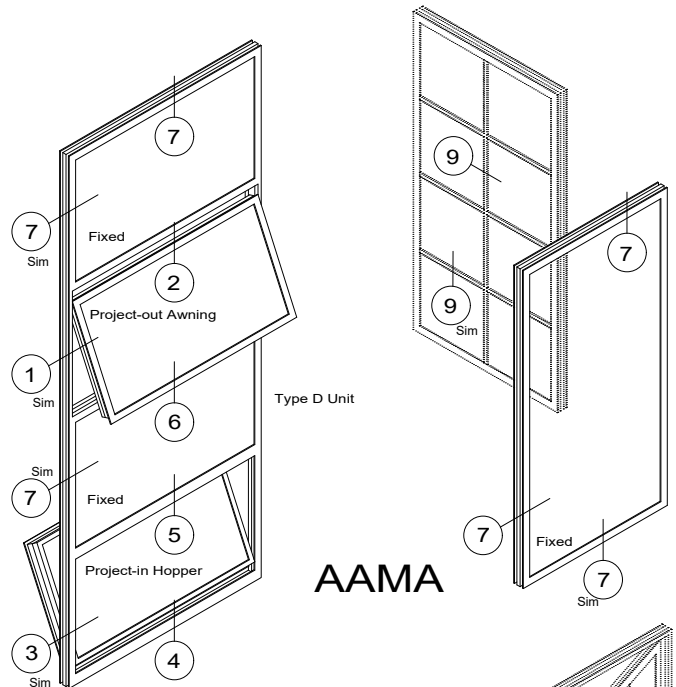
Test Unit Elevations

Architectural Windows

2250i/3250i/4250i INvent™ Retro -XLT Series

Elevations Viewed From The Exterior

Section Contents	Page(s)
Details, Posts and Stacks, Grid Options	
Beveled	P20-2 through P20-6
Square	P20-2a through P20-6a
Ogee	P20-2b through P20-6b
Cove	P20-2c through P20-6c
Glazing Options	P20-7
Blind Options	P20-8
Simulated Double Hung	P20-9 through P20-20
Accessories	P20-21 through P20-23
Isometric Views	P20-24 and P20-25



AAMA Test Configurations (shown)

Architectural AW Class

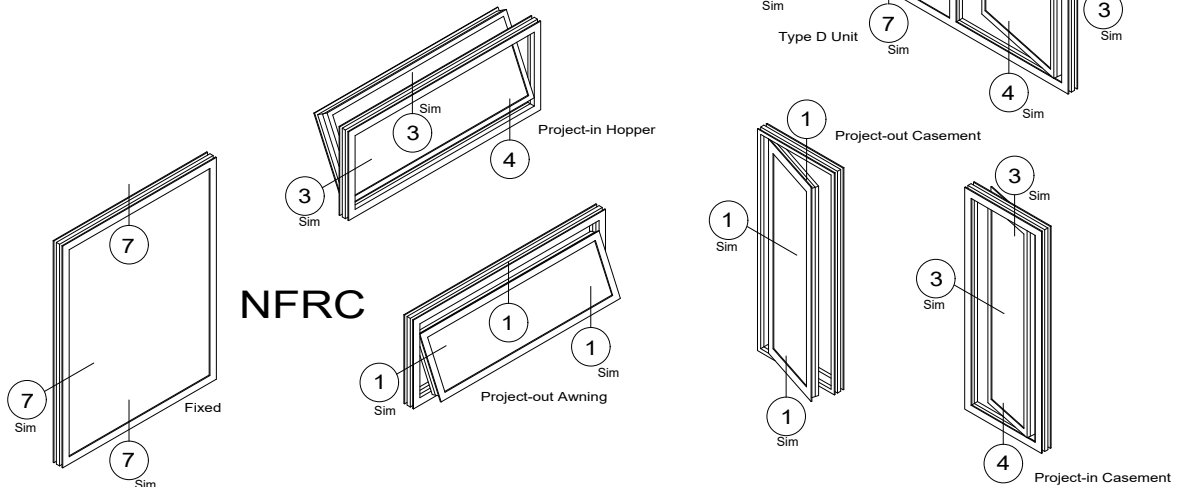
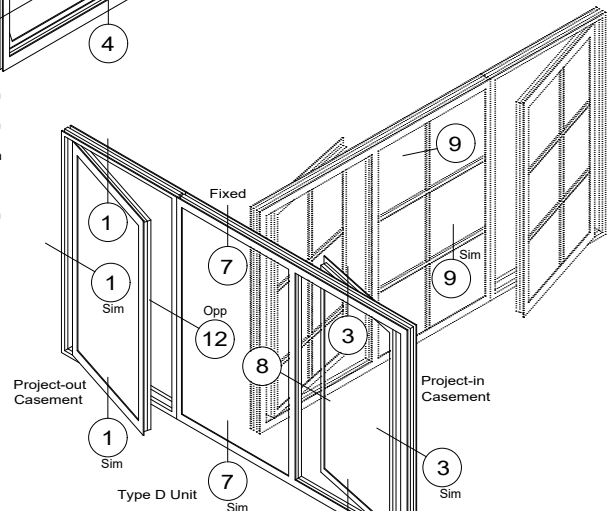
For air, water, cycling and structural

Fixed Frame Size	60" x 99"	Fixed	1524 mm x 2515 mm
Projected Frame Size	60" x 144"	Type D	1524 mm x 3658 mm
Casement Frame Size	108" x 60"	Type D	2743 mm x 1524 mm
Gateway Sizes	60" x 36"	Projected	1524 mm x 914 mm
	36" x 60"	Casement	914 mm x 1524 mm

NFRC 100 Thermal Test Configurations (shown)

For U-Factor, SHGC and CR

Fixed Frame Size	47" x 59"	1200 mm x 1500 mm
Projected Frame Size	59" x 24"	1500 mm x 600 mm
Casement Frame Size	24" x 59"	600 mm x 1500 mm



2250/3250/4250 INvent Retro-XLT

See INvent -XLT for Simulated Double Hung options
Contact A Wausau Representative For Other Possible Configurations



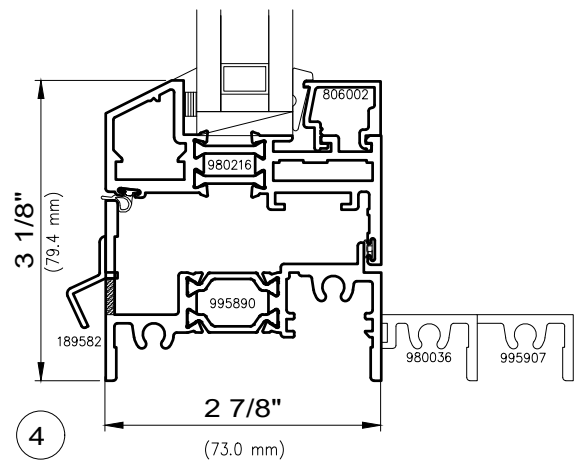
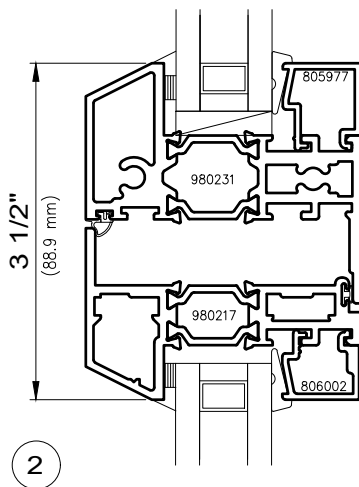
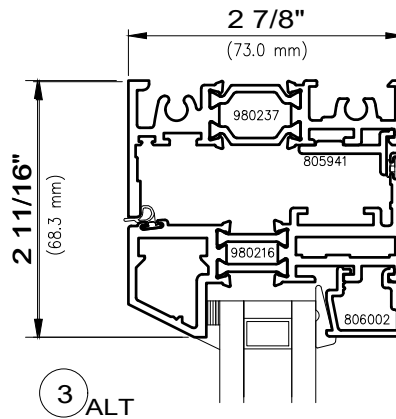
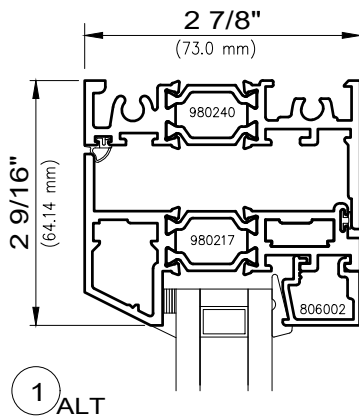
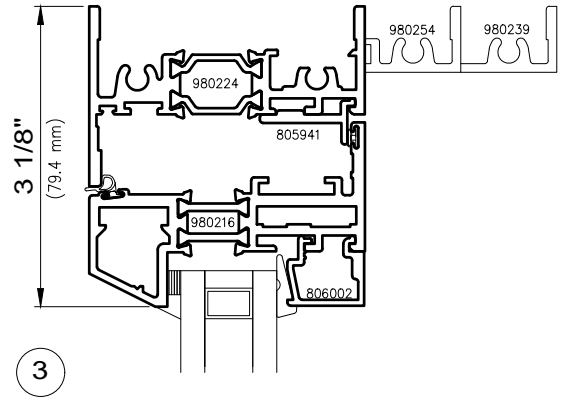
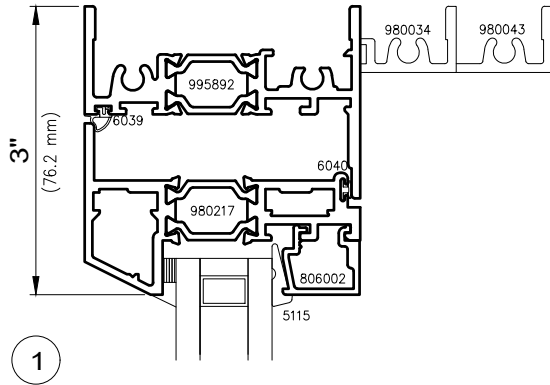
WAUSAU

WINDOW AND WALL
SYSTEMS

Beveled
Projected and Fixed Details

Architectural Windows

2250i/3250i/4250i INvent™ Retro -XLT Series





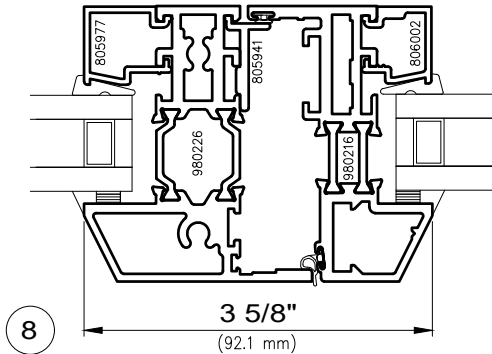
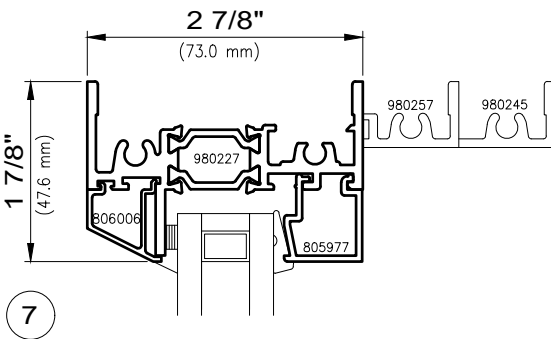
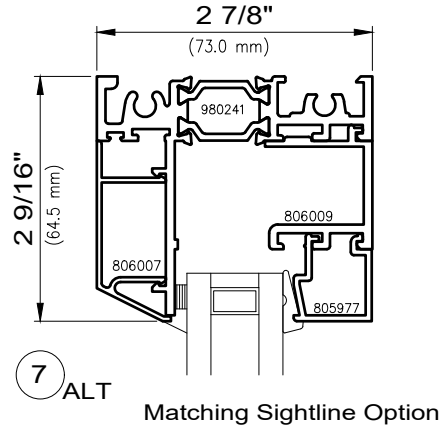
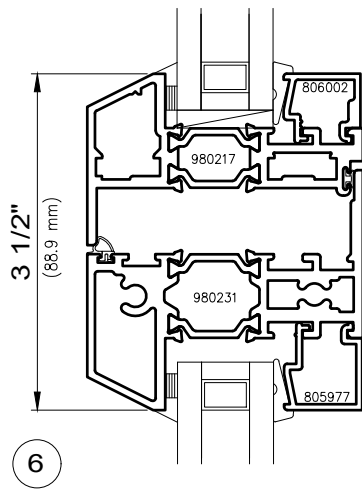
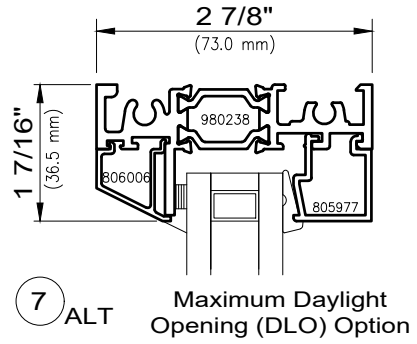
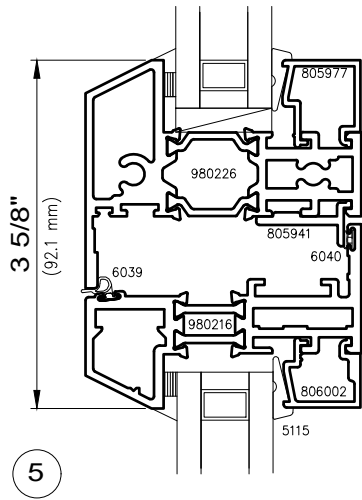
WAUSAU

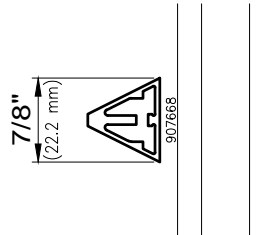
WINDOW AND WALL
SYSTEMS

Beveled
Projected and Fixed Details

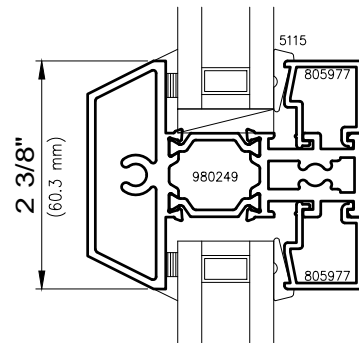
Architectural Windows

2250i/3250i/4250i INvent™ Retro -XLT Series

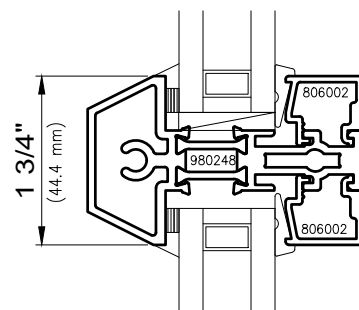




9 Applied Muntin



9 True Divided Lite



9 True Divided Lite



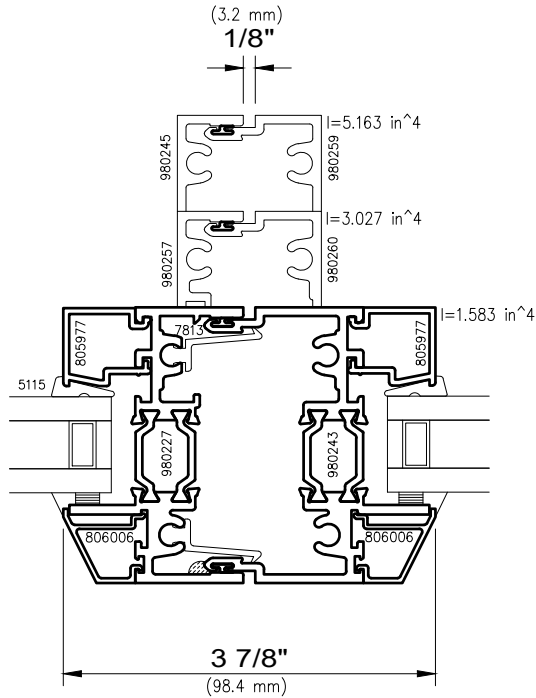
WAUSAU

WINDOW AND WALL
SYSTEMS

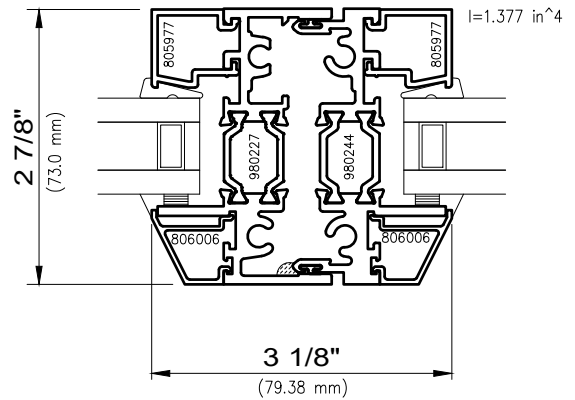
Beveled
Posts and Stacks

Architectural Windows

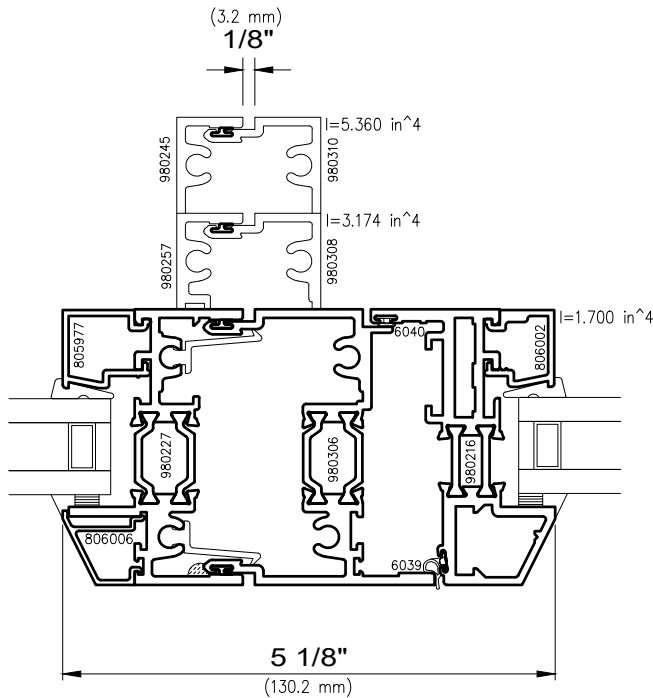
2250i/3250i/4250i INvent™ Retro -XLT Series



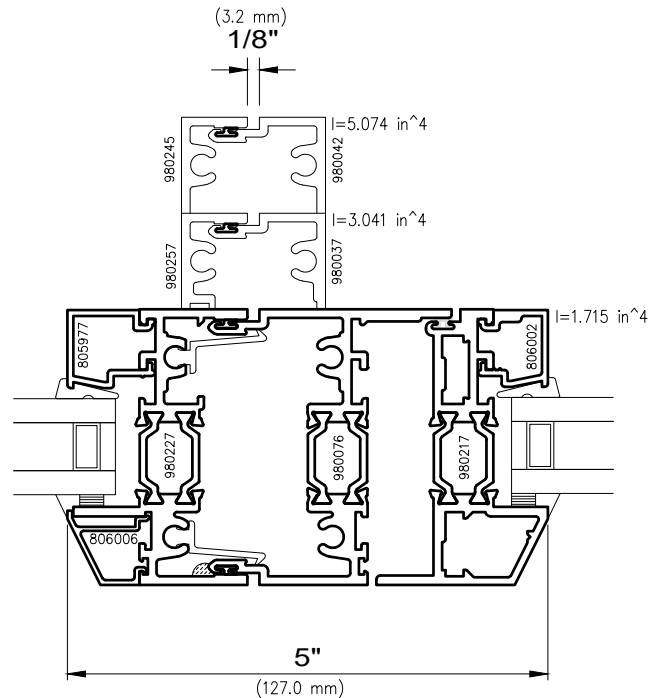
Fixed/Fixed



Fixed/Fixed



Fixed/Project-In



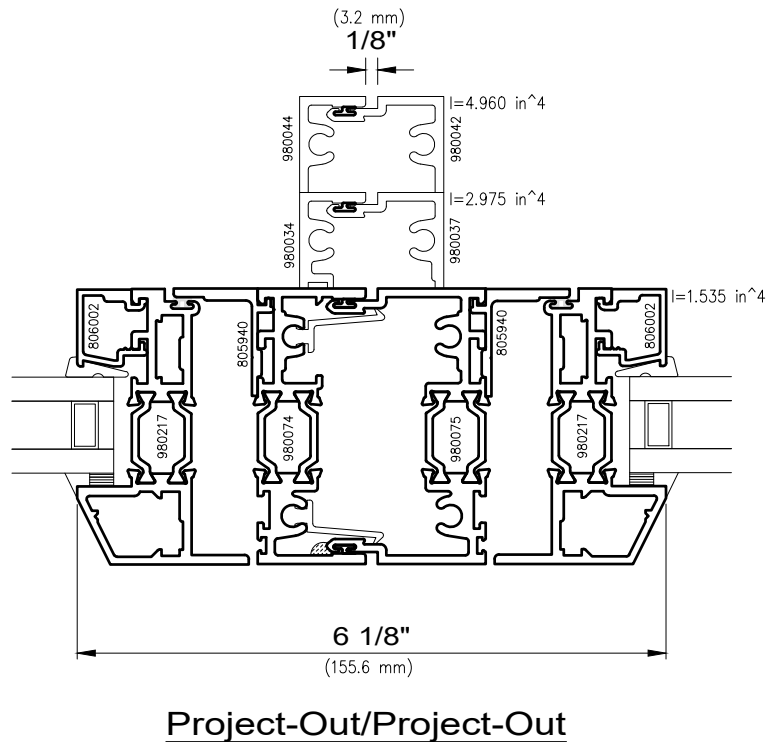
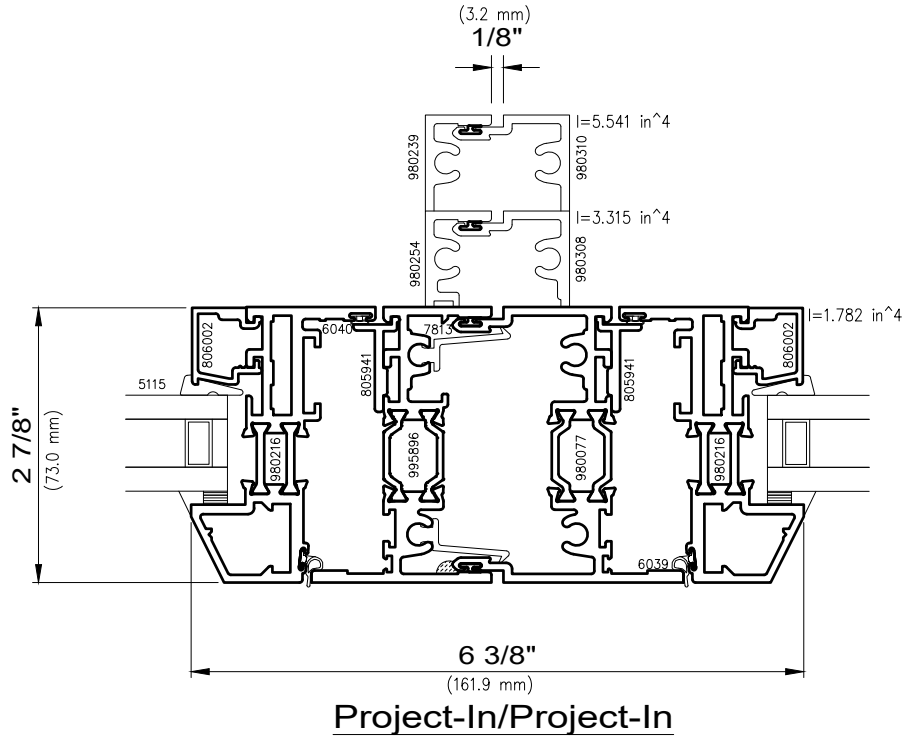
Fixed/Project-Out

I-values indicated are for frame members only.
Thermal barrier shear reductions of 10% are included.



Architectural Windows

2250i/3250i/4250i INvent™ Retro -XLT Series



I-values indicated are for frame members only.
Thermal barrier shear reductions of 10% are included.



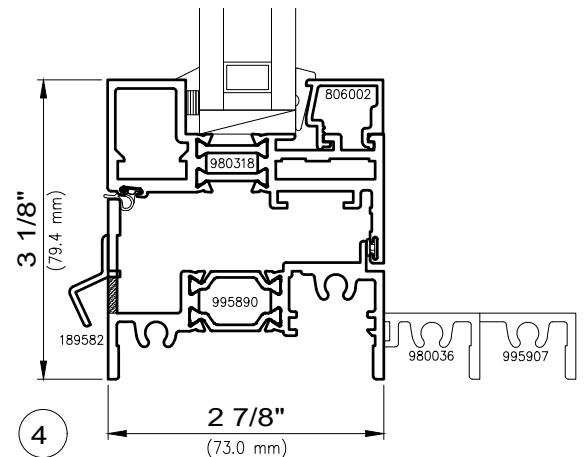
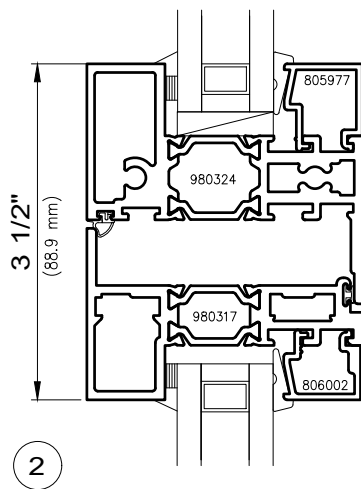
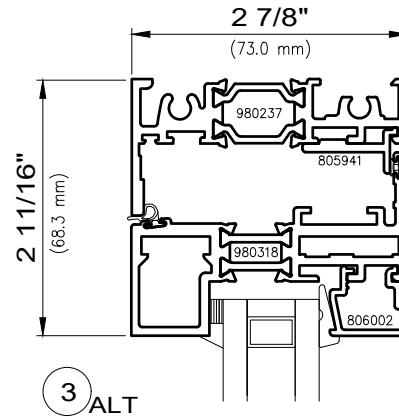
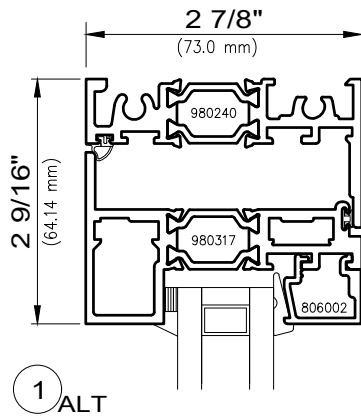
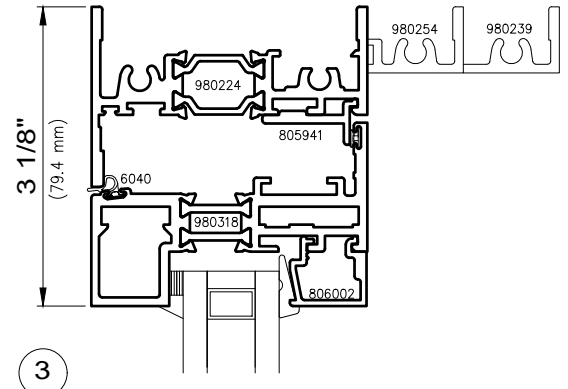
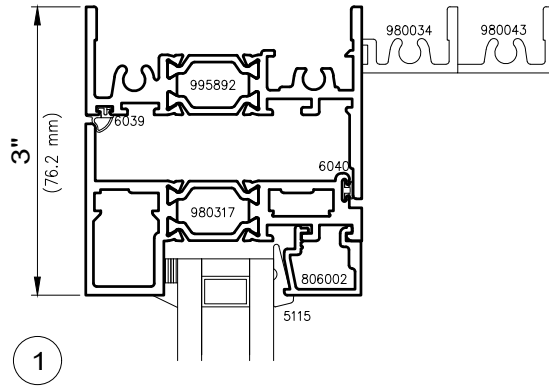
WAUSAU

WINDOW AND WALL
SYSTEMS

Square
Projected and Fixed Details

Architectural Windows

2250i/3250i/4250i INvent™ Retro -XLT Series





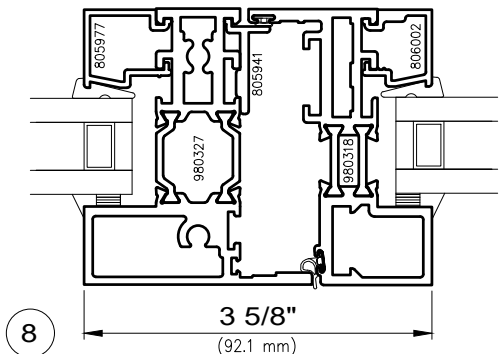
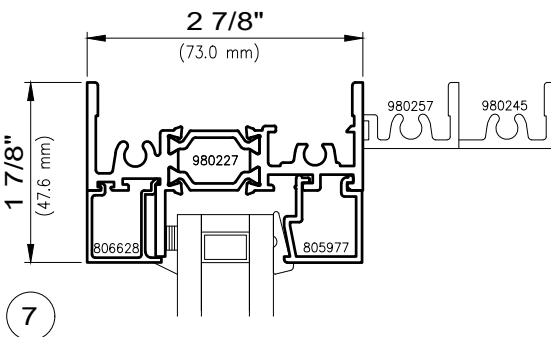
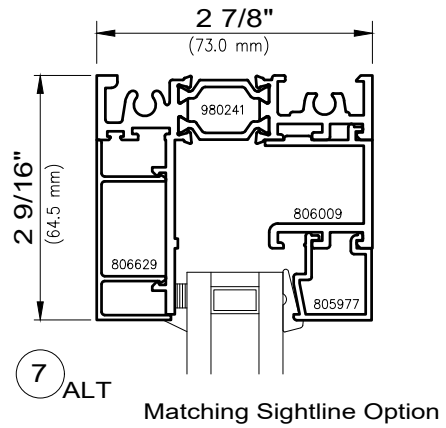
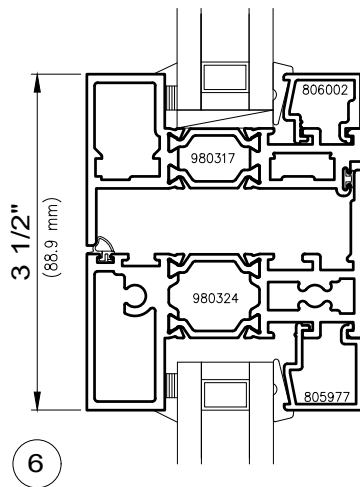
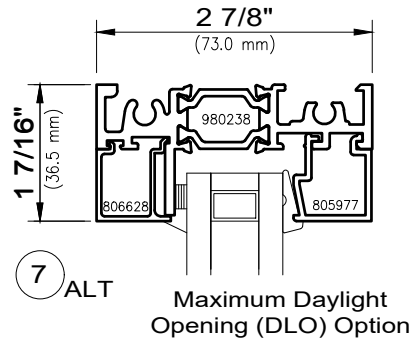
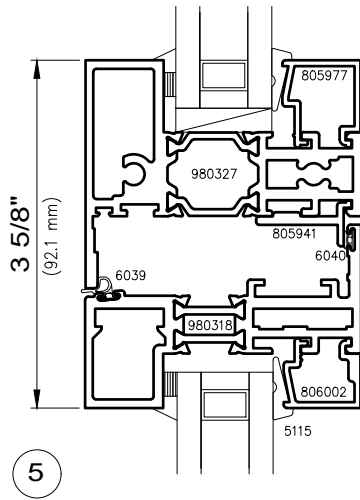
WAUSAU

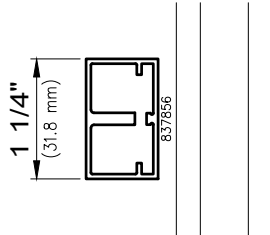
WINDOW AND WALL
SYSTEMS

Square
Projected and Fixed Details

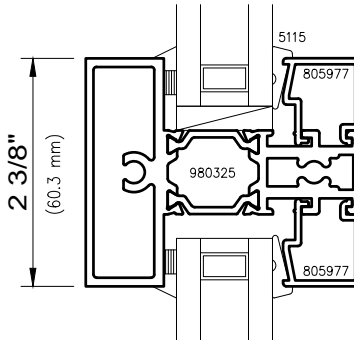
Architectural Windows

2250i/3250i/4250i INvent™ Retro -XLT Series

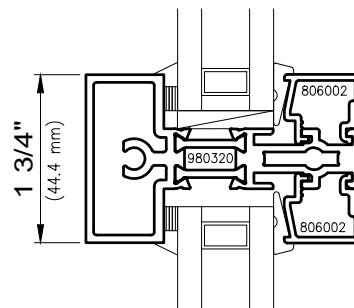




9 Applied Muntin



9 True Divided Lite



9 True Divided Lite



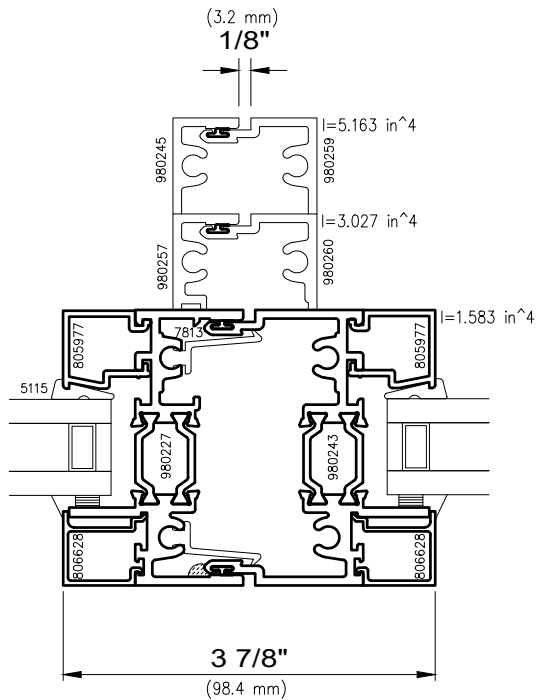
WAUSAU

WINDOW AND WALL
SYSTEMS

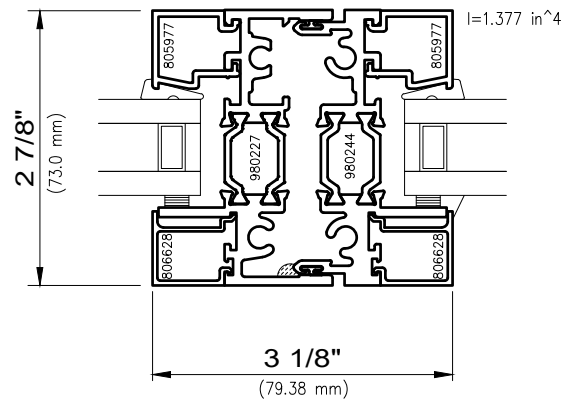
Square
Posts and Stacks

Architectural Windows

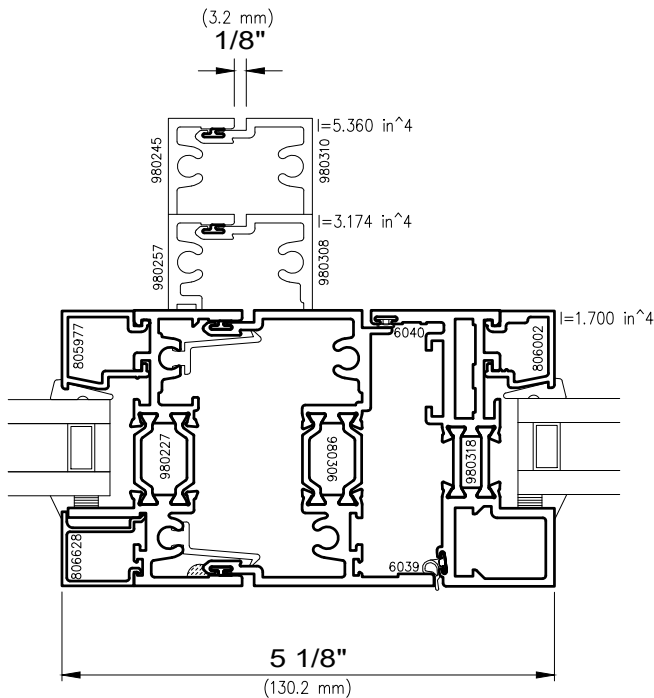
2250i/3250i/4250i INvent™ Retro -XLT Series



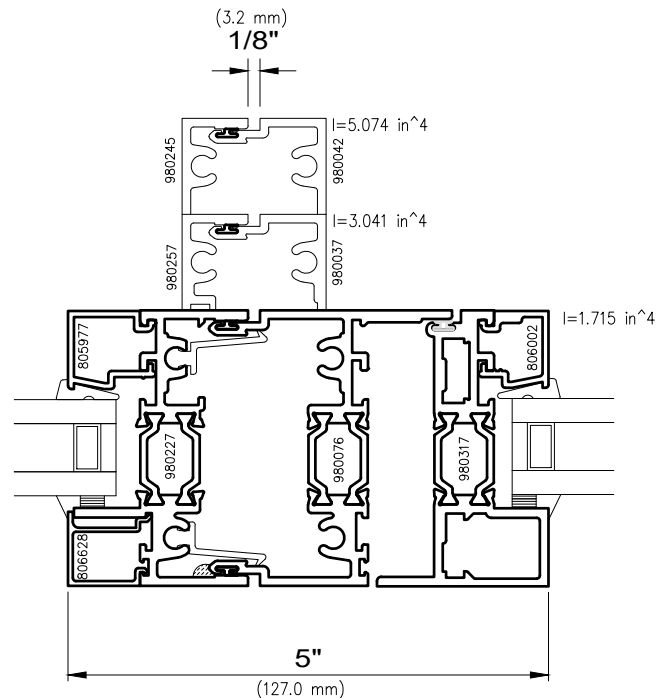
Fixed/Fixed



Fixed/Fixed



Fixed/Project-In



Fixed/Project-Out

I-values indicated are for frame members only.
Thermal barrier shear reductions of 10% are included.



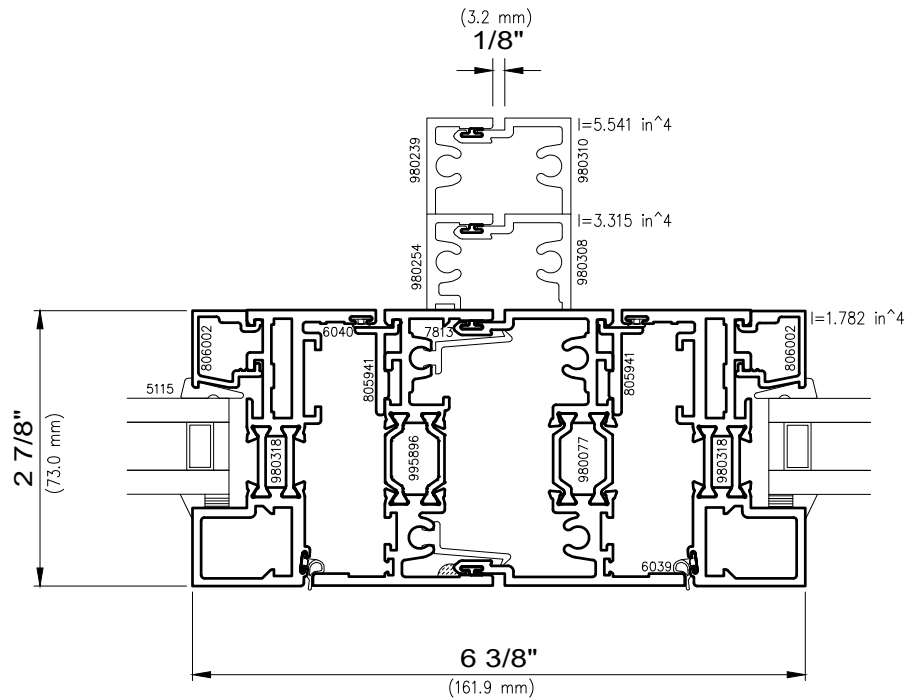
WAUSAU

WINDOW AND WALL
SYSTEMS

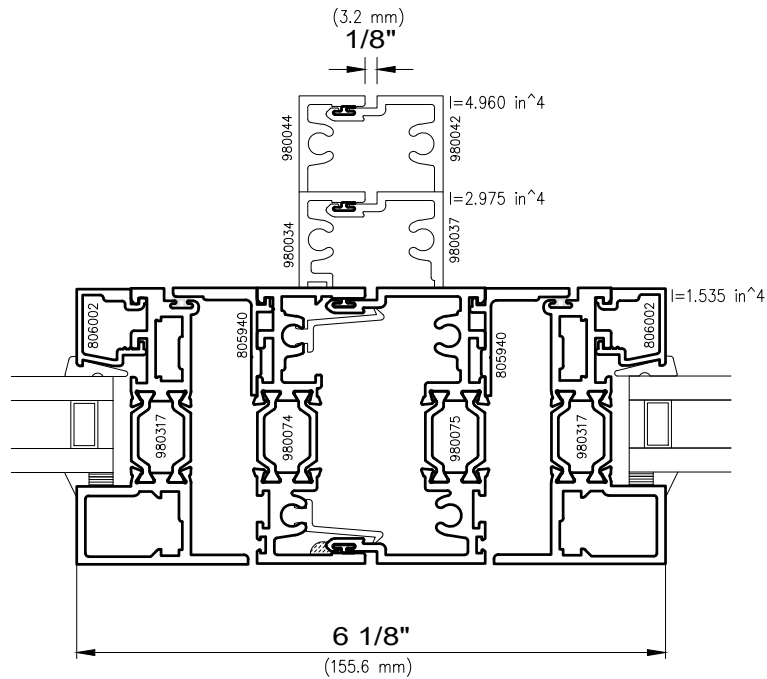
Square
Posts and Stacks

Architectural Windows

2250i/3250i/4250i INvent™ Retro -XLT Series



Project-In/Project-In



Project-Out/Project-Out

I-values indicated are for frame members only.
Thermal barrier shear reductions of 10% are included.



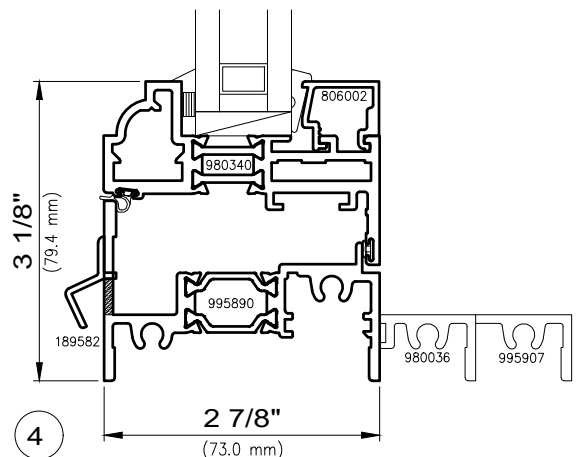
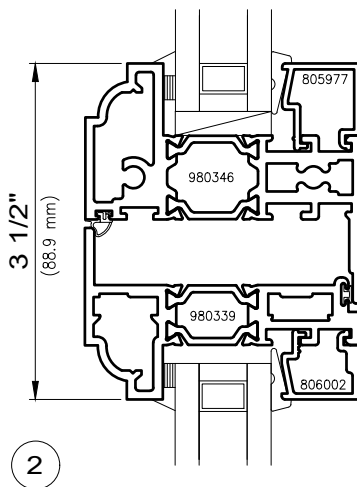
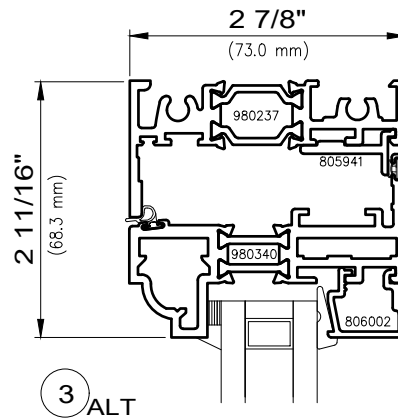
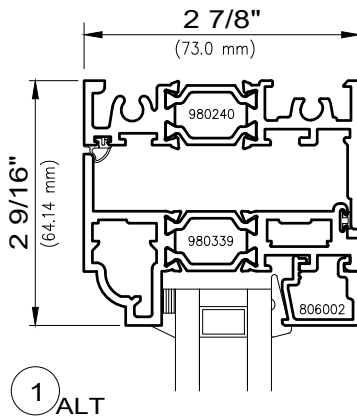
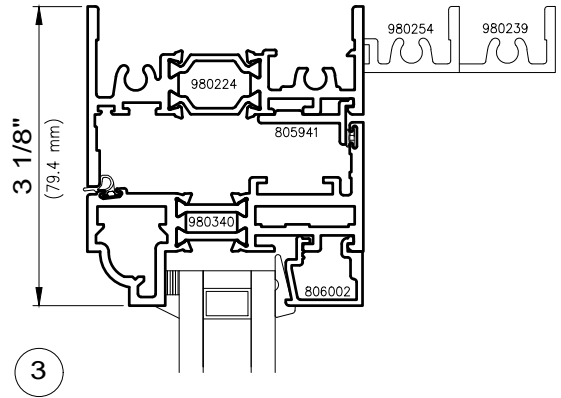
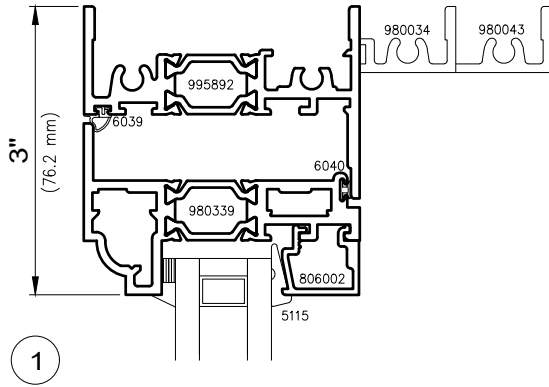
WAUSAU

WINDOW AND WALL
SYSTEMS

Ogee
Projected and Fixed Details

Architectural Windows

2250i/3250i/4250i INvent™ Retro -XLT Series





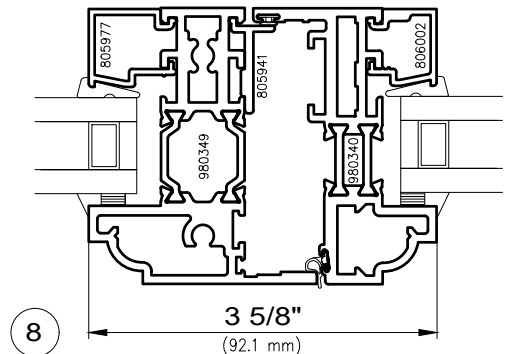
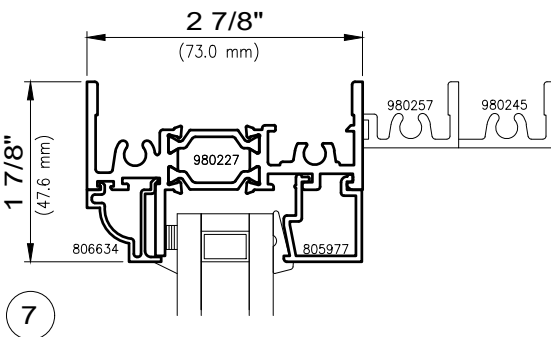
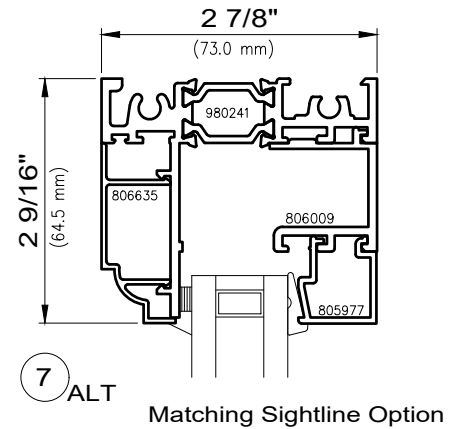
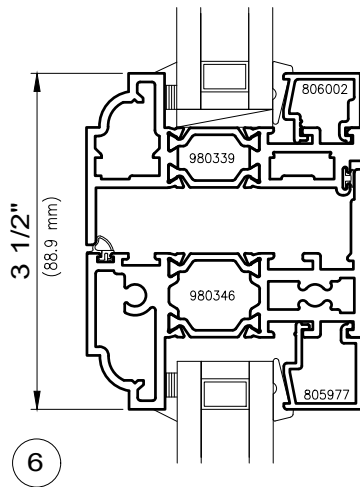
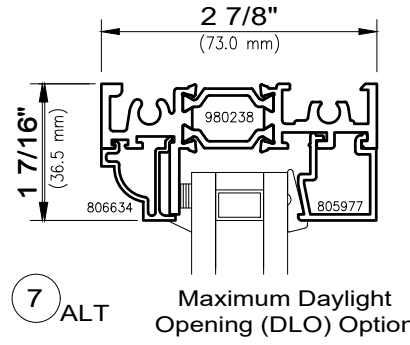
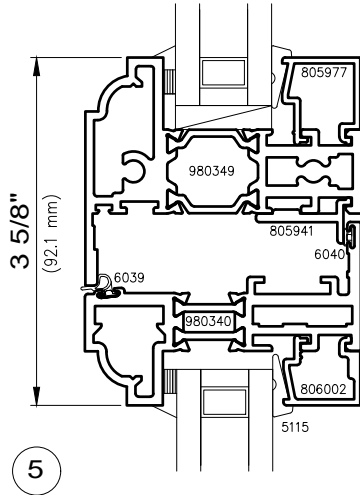
WAUSAU

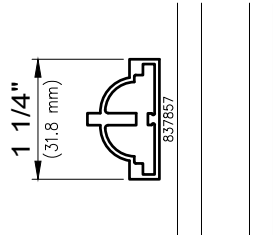
WINDOW AND WALL
SYSTEMS

Ogee
Projected and Fixed Details

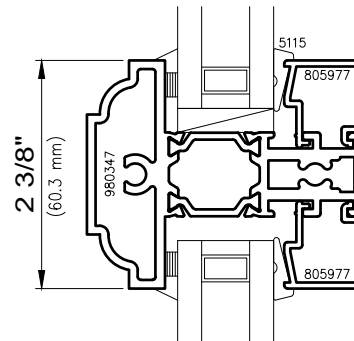
Architectural Windows

2250i/3250i/4250i INvent™ Retro -XLT Series

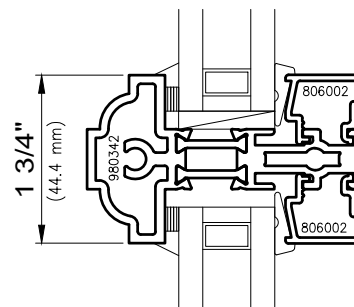




9 Applied Muntin



9 True Divided Lite

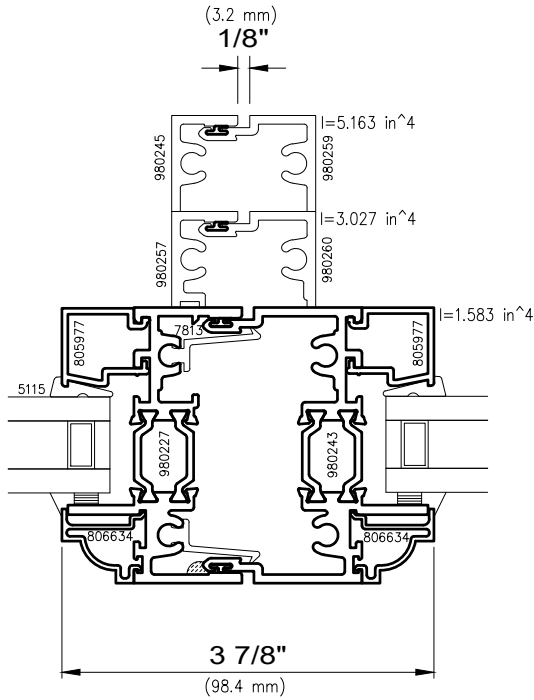


9 True Divided Lite

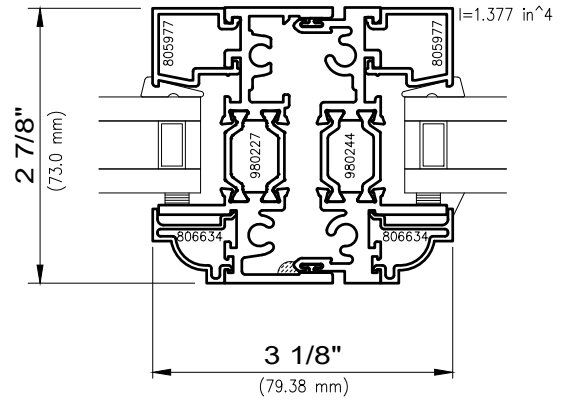


Architectural Windows

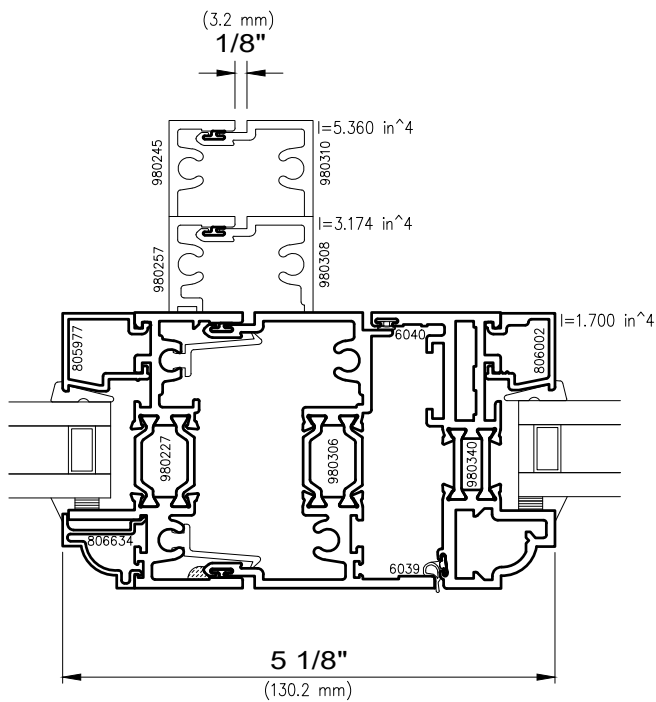
2250i/3250i/4250i INvent™ Retro -XLT Series



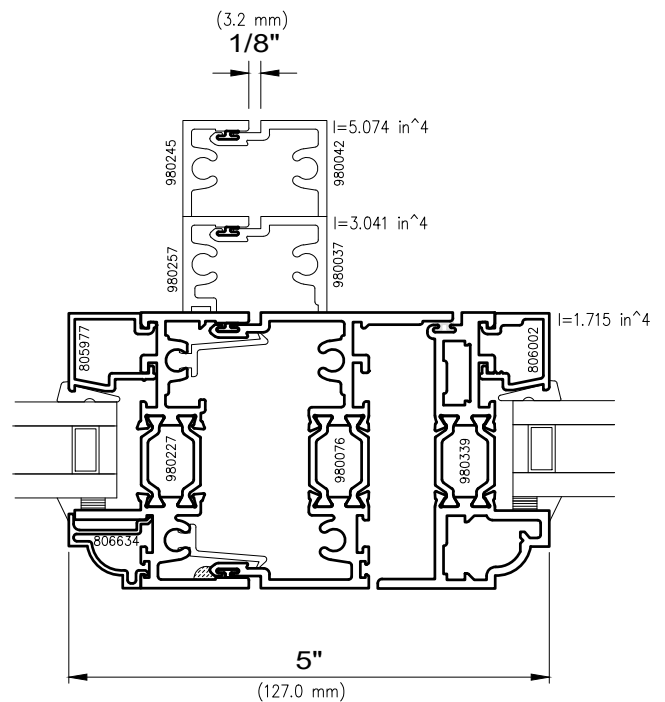
Fixed/Fixed



Fixed/Fixed



Fixed/Project-In

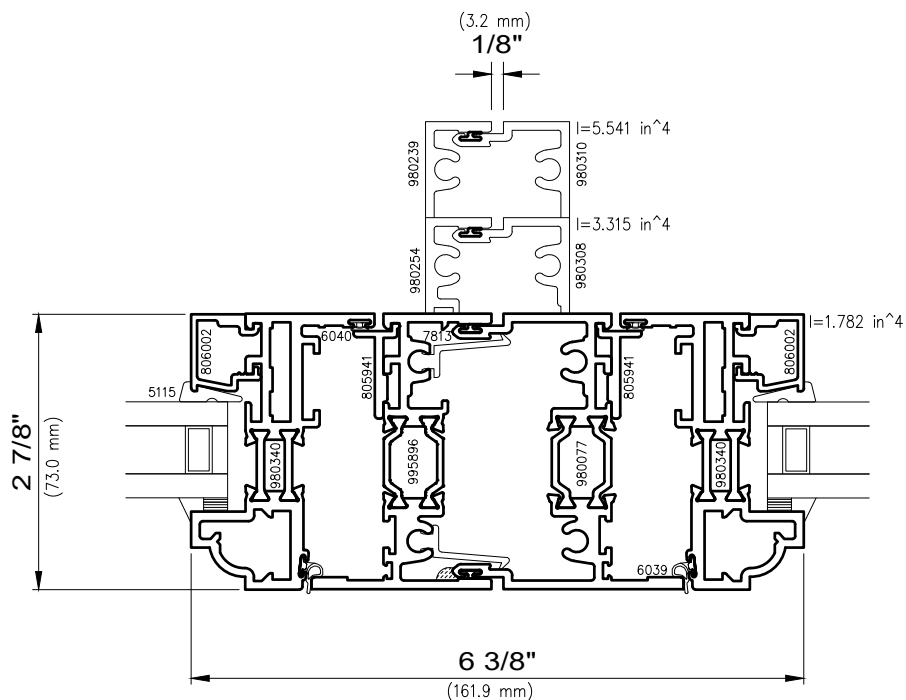


Fixed/Project-Out

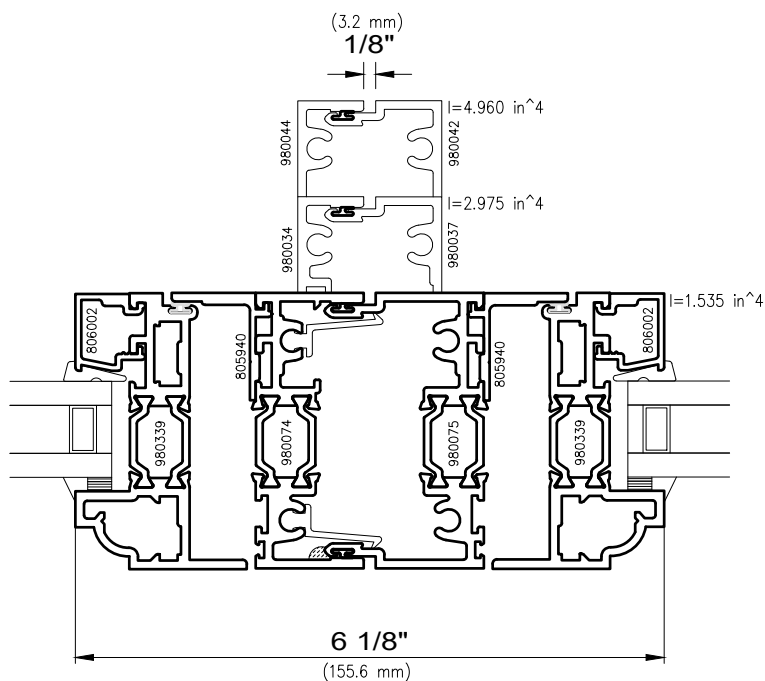
I-values indicated are for frame members only.
Thermal barrier shear reductions of 10% are included.

Architectural Windows

2250i/3250i/4250i INvent™ Retro -XLT Series



Project-In/Project-In



Project-Out/Project-Out

I-values indicated are for frame members only.
 Thermal barrier shear reductions of 10% are included.



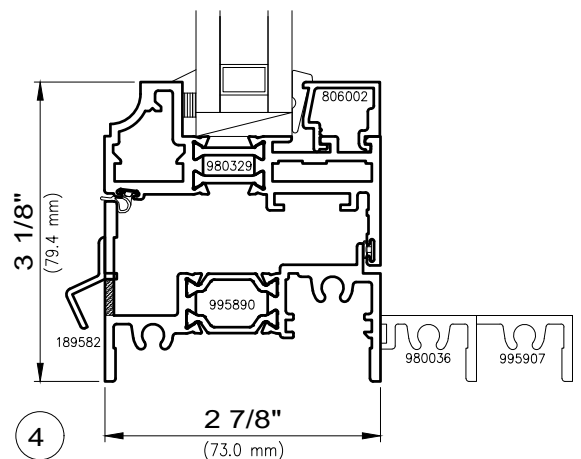
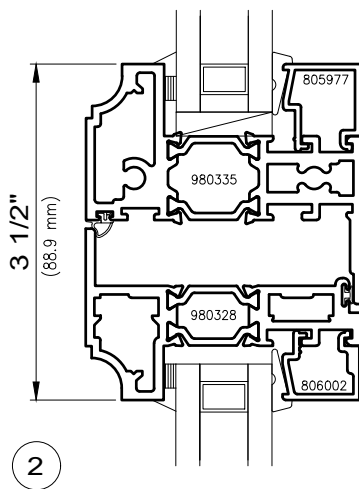
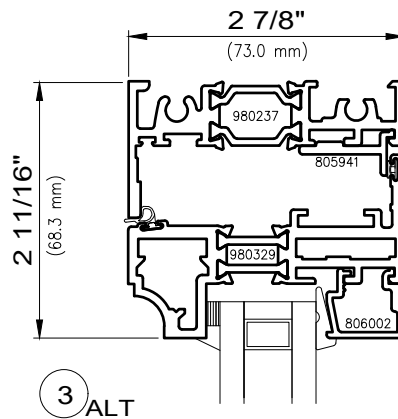
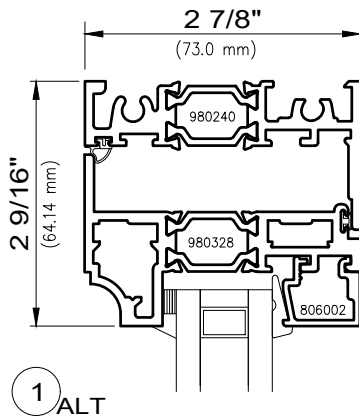
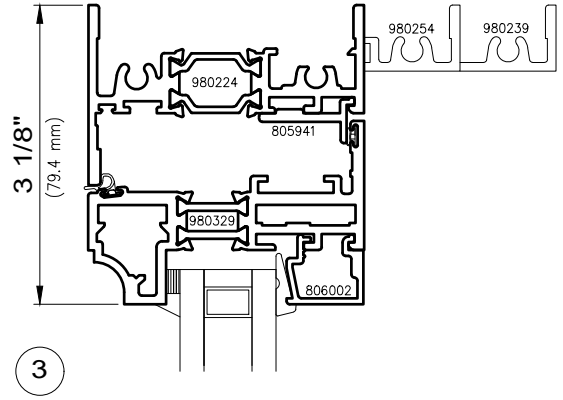
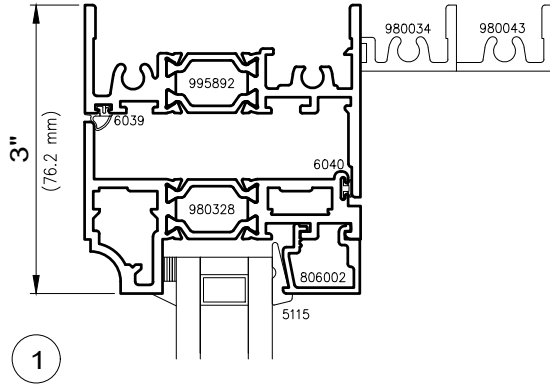
WAUSAU

WINDOW AND WALL
SYSTEMS

Cove
Projected and Fixed Details

Architectural Windows

2250i/3250i/4250i INvent™ Retro -XLT Series





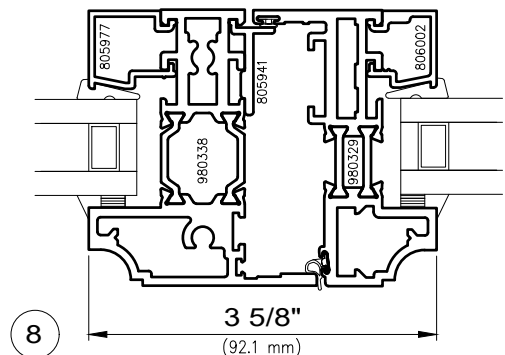
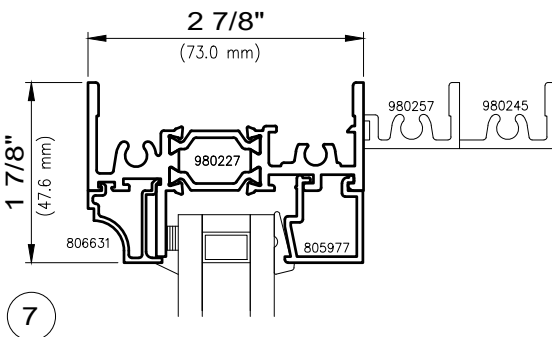
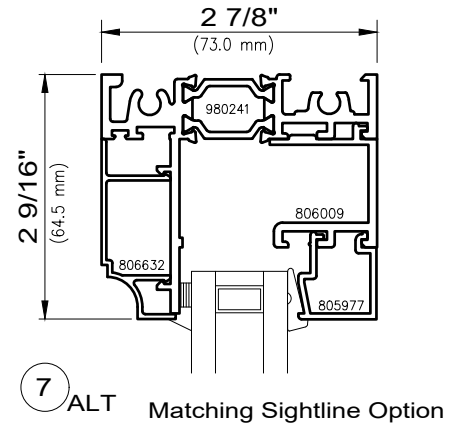
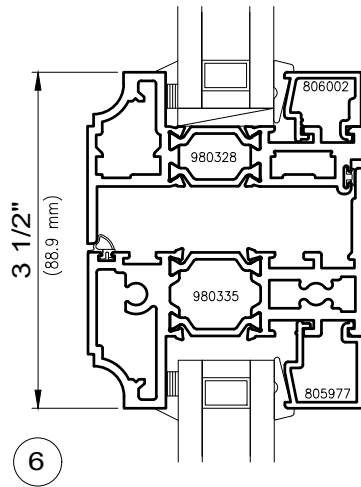
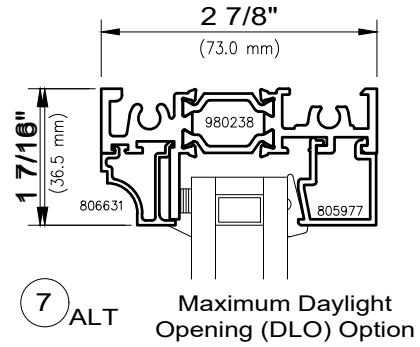
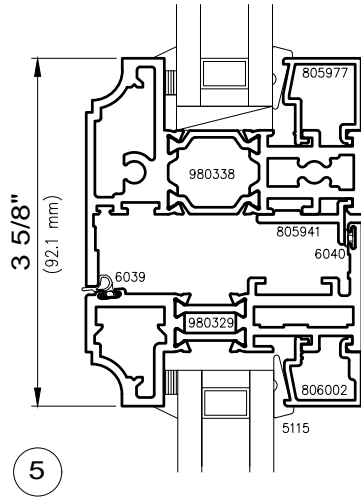
WAUSAU

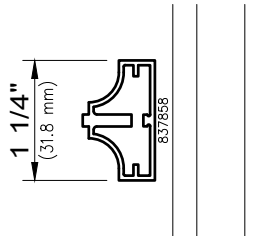
WINDOW AND WALL
SYSTEMS

Cove
Projected and Fixed Details

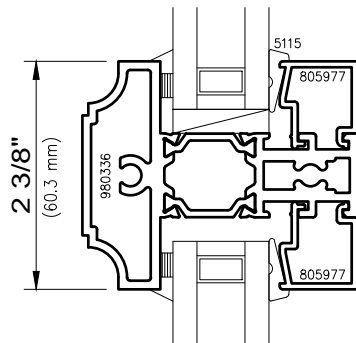
Architectural Windows

2250i/3250i/4250i INvent™ Retro -XLT Series

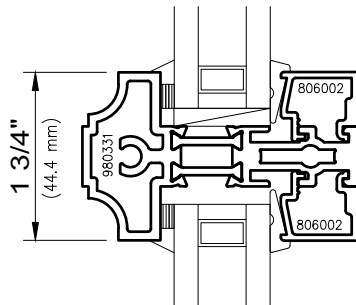




9 Applied Muntin



9 True Divided Lite



9 True Divided Lite



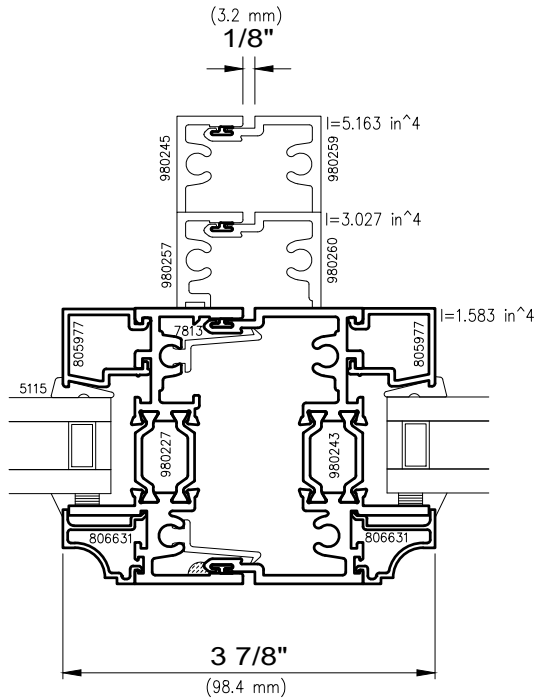
WAUSAU

WINDOW AND WALL
SYSTEMS

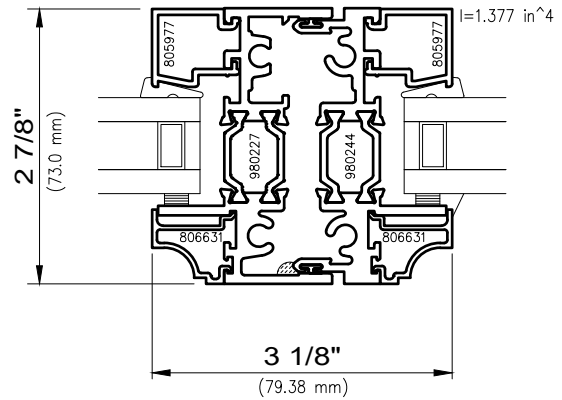
Cove
Posts and Stacks

Architectural Windows

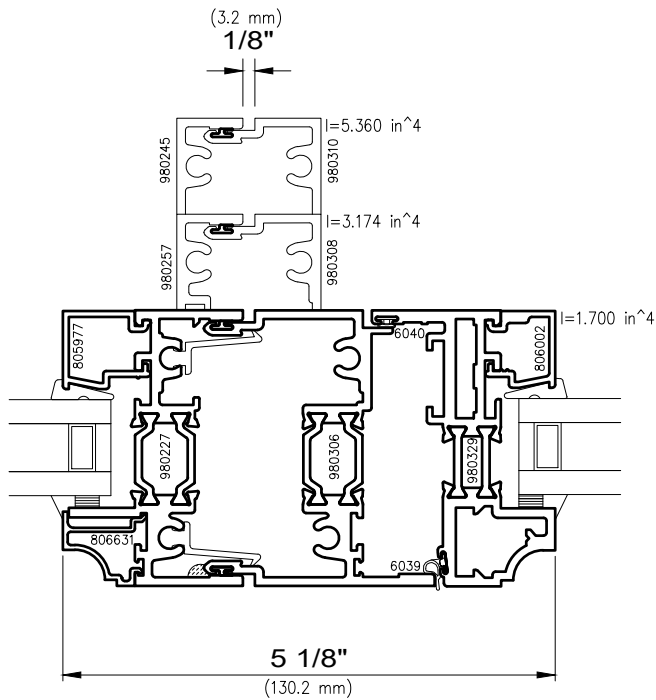
2250i/3250i/4250i INvent™ Retro -XLT Series



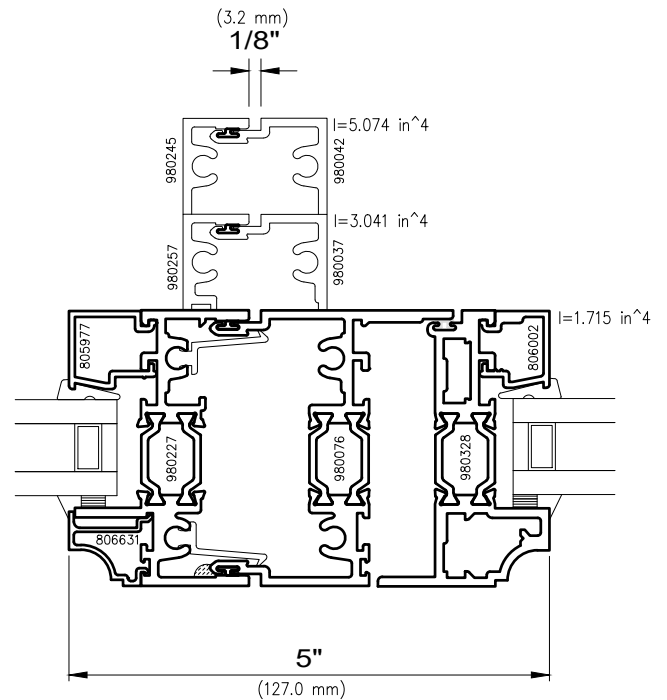
Fixed/Fixed



Fixed/Fixed



Fixed/Project-In



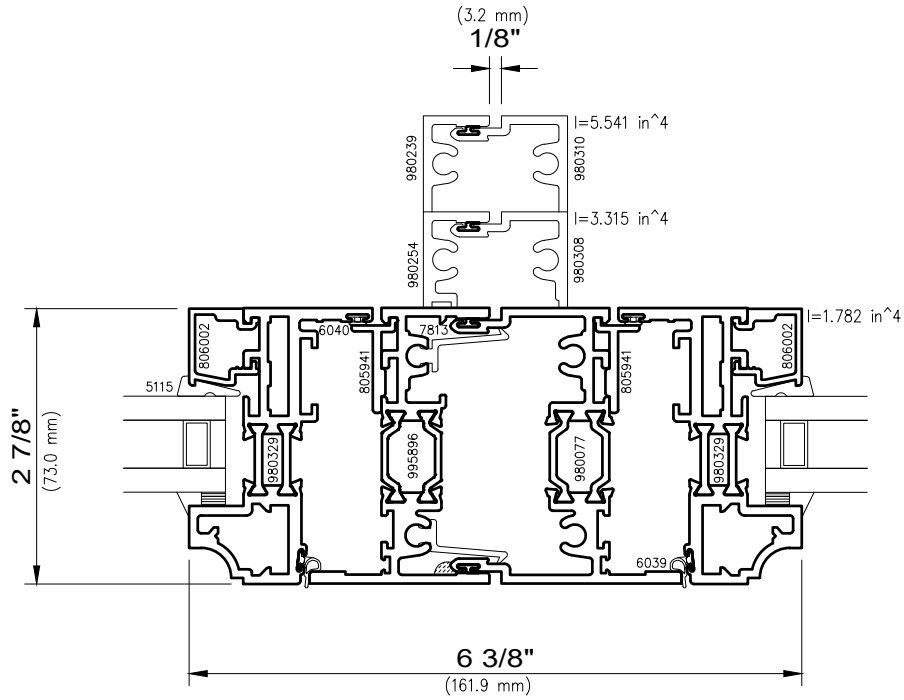
Fixed/Project-Out

I-values indicated are for frame members only.
Thermal barrier shear reductions of 10% are included.

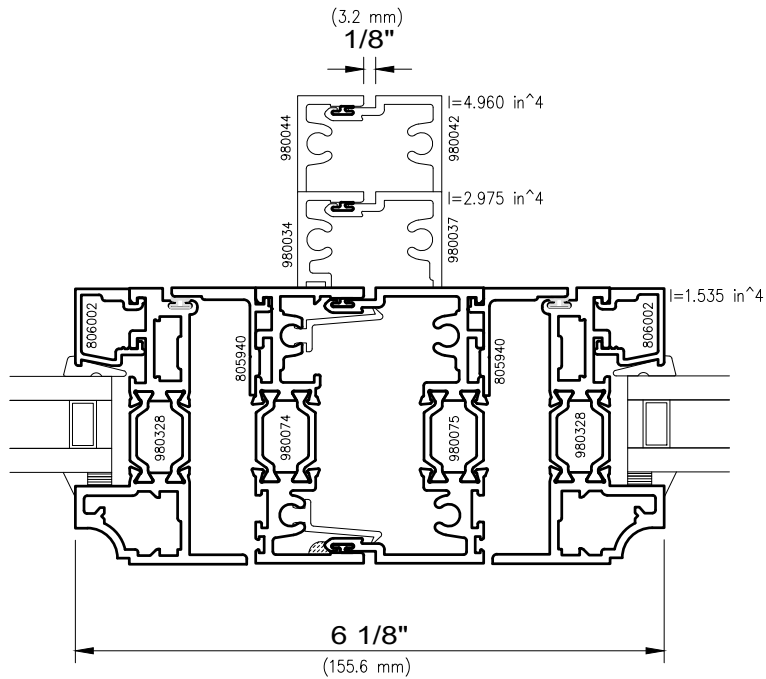


Architectural Windows

2250i/3250i/4250i INvent™ Retro -XLT Series

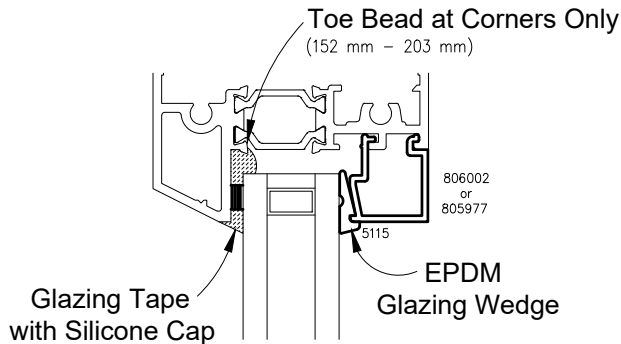


Project-In/Project-In

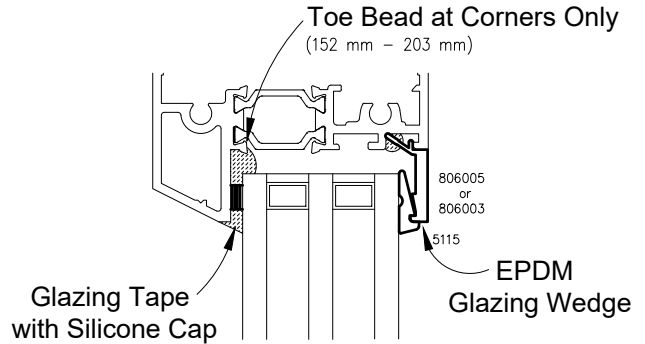


Project-Out/Project-Out

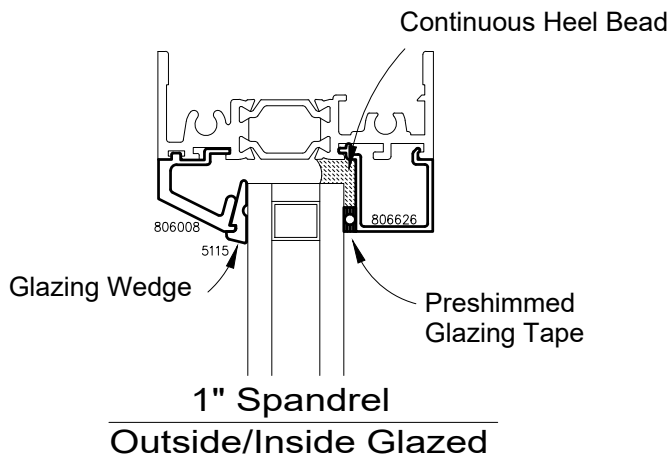
I-values indicated are for frame members only.
Thermal barrier shear reductions of 10% are included.



1" Insulating Glass
Inside Glazed



1 5/8" Triple Insulating Glass
Inside Glazed



1" Spandrel
Outside/Inside Glazed

Blast and hurricane glazing is not available as standard in the INvent Retro Series. Contact Wausau for blast and hurricane systems meeting the specific requirements of your project



WAUSAU

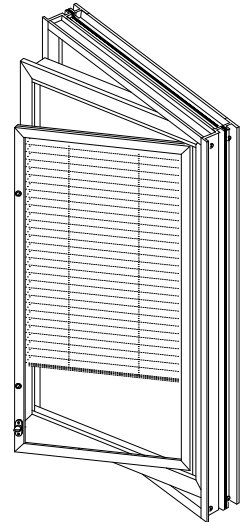
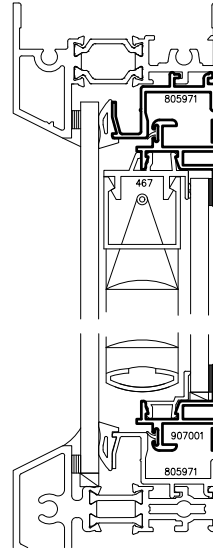
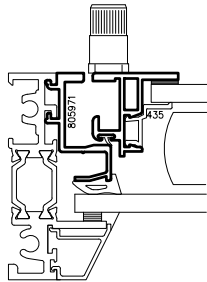
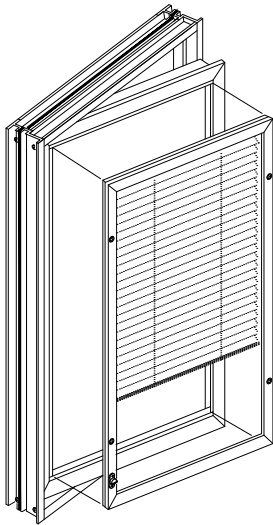
WINDOW AND WALL
SYSTEMS

Blind Options

Architectural Windows

2250i/3250i/4250i INvent™ Retro -XLT Series

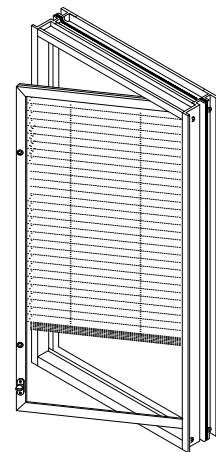
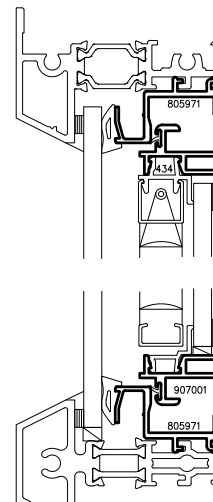
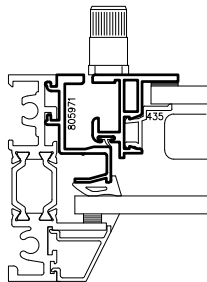
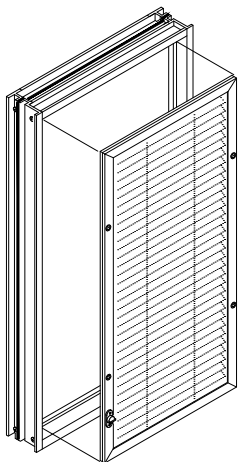
Elevations Shown As Viewed From The Interior



1" Blind/Dual Glazed

Lift-Out

Hinged



5/8" Blind/Dual Glazed



WAUSAU

WINDOW AND WALL
SYSTEMS

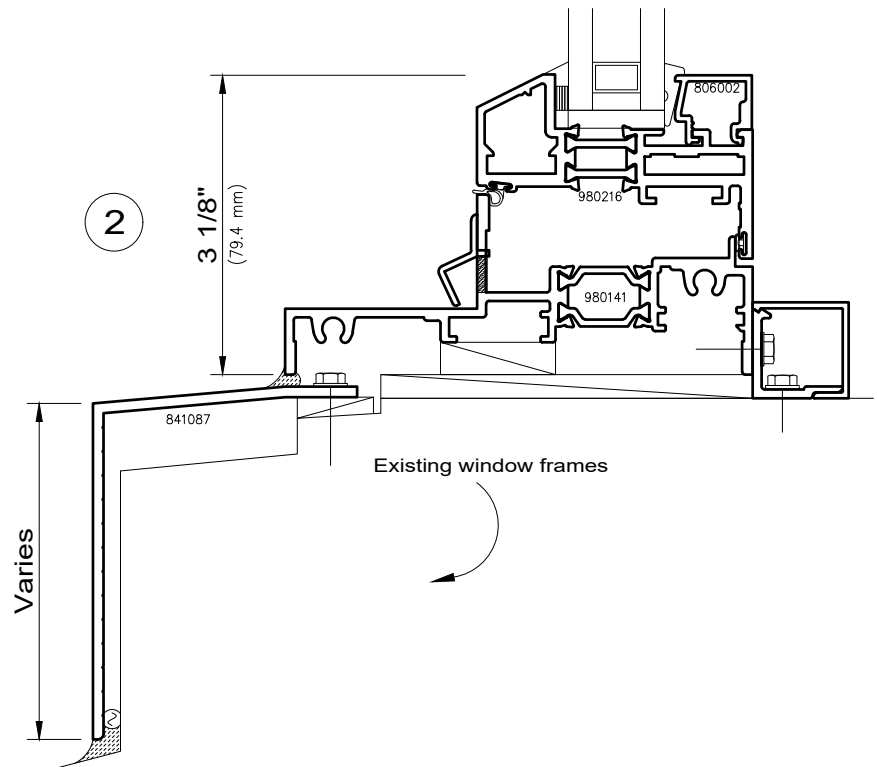
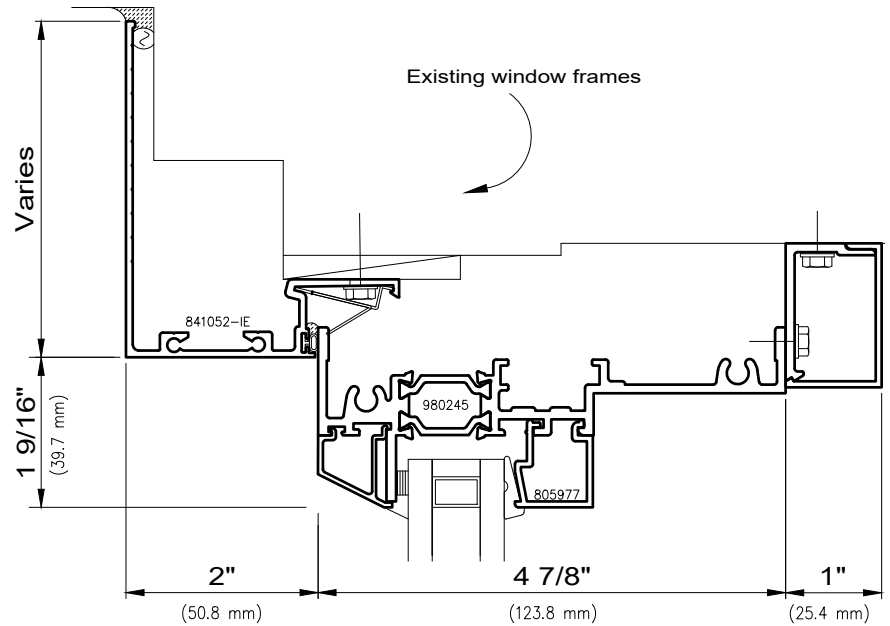
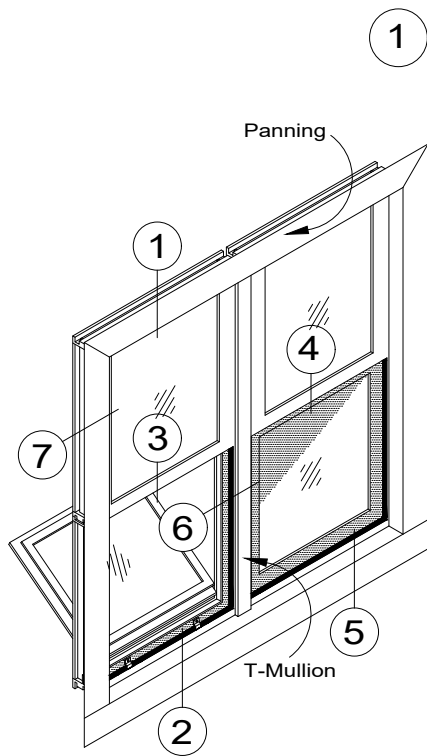
Simulated Double Hung Panning and T-Mullions

Architectural Windows

2250i/3250i/4250i INvent™ Retro -XLT Series

Non-stocked items shown - Minimum order quantity may apply

Panning and mullions are available in various depths, with optional historic ogee or reverse cove profiles. Refer to "Accessories" for more information.



4250i-XLT INvent Retro simulated double hung windows in multiple bays must be used in conjunction with T-mullions or H-mullions. Side stacking jambs not available.



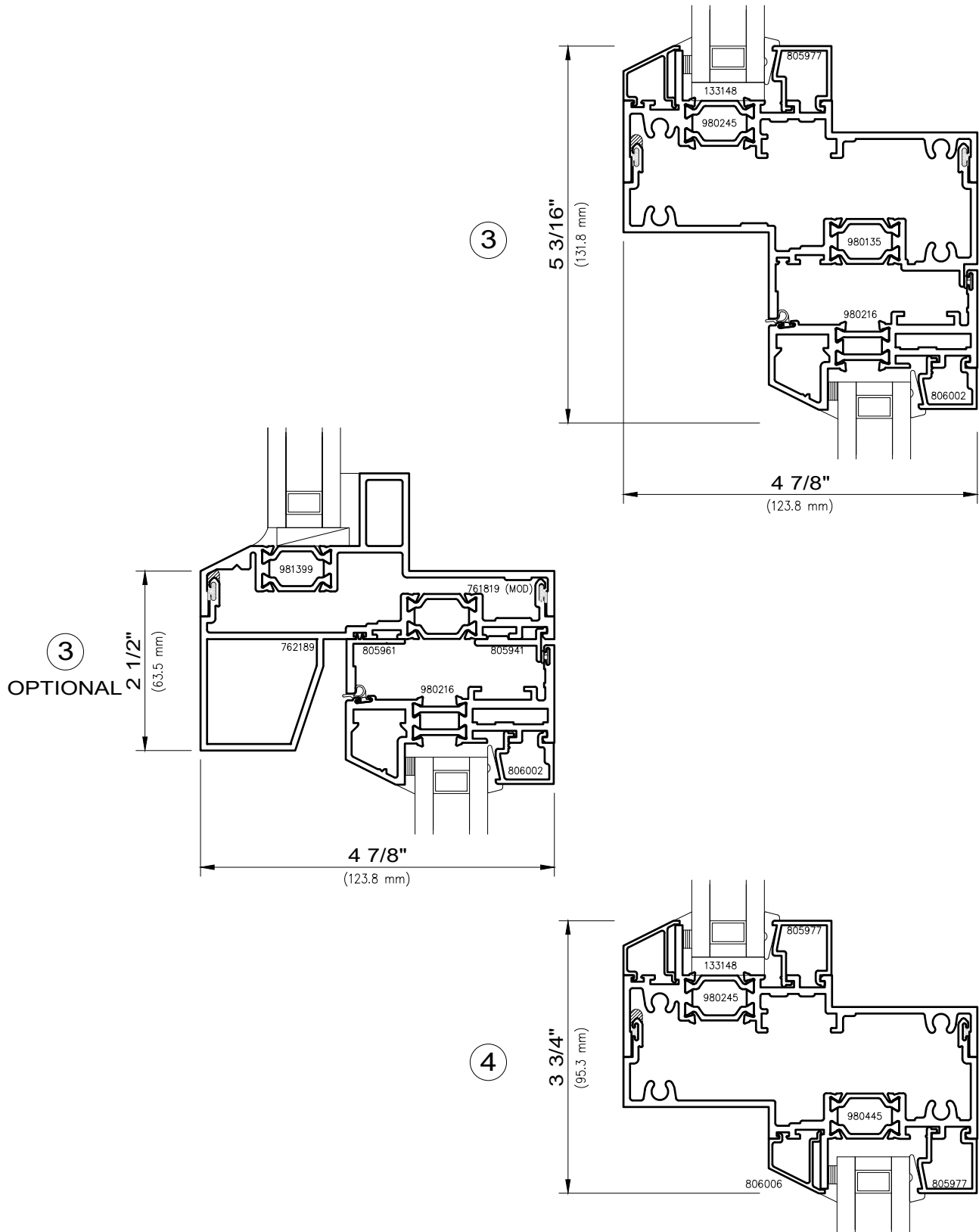
WAUSAU

WINDOW AND WALL
SYSTEMS

Simulated Double Hung
Panning and T-Mullions

Architectural Windows

2250i/3250i/4250i INvent™ Retro -XLT Series





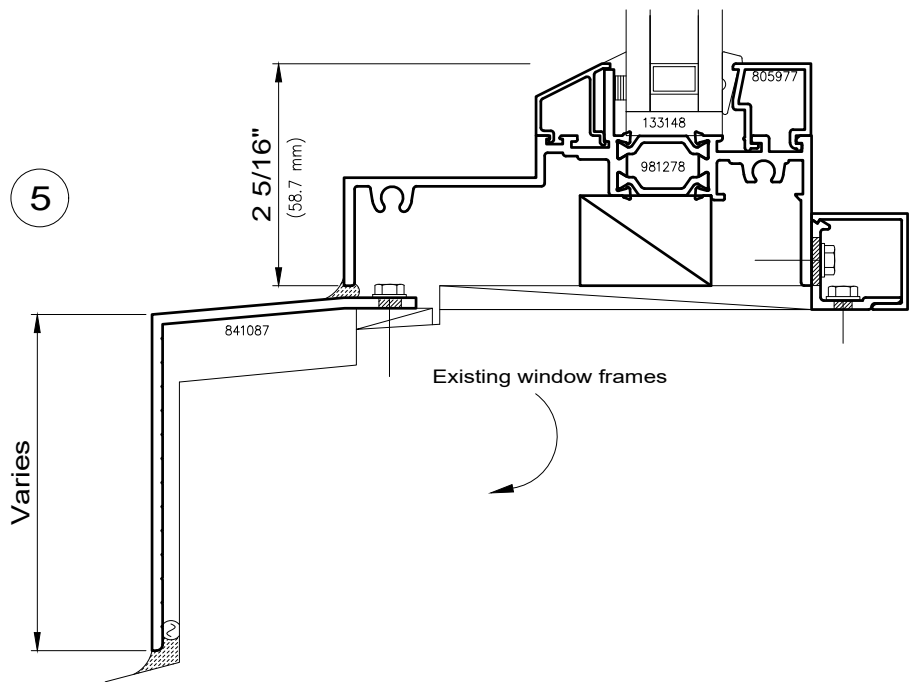
WAUSAU

WINDOW AND WALL
SYSTEMS

Simulated Double Hung
Panning and T-Mullions

Architectural Windows

2250i/3250i/4250i INvent™ Retro -XLT Series



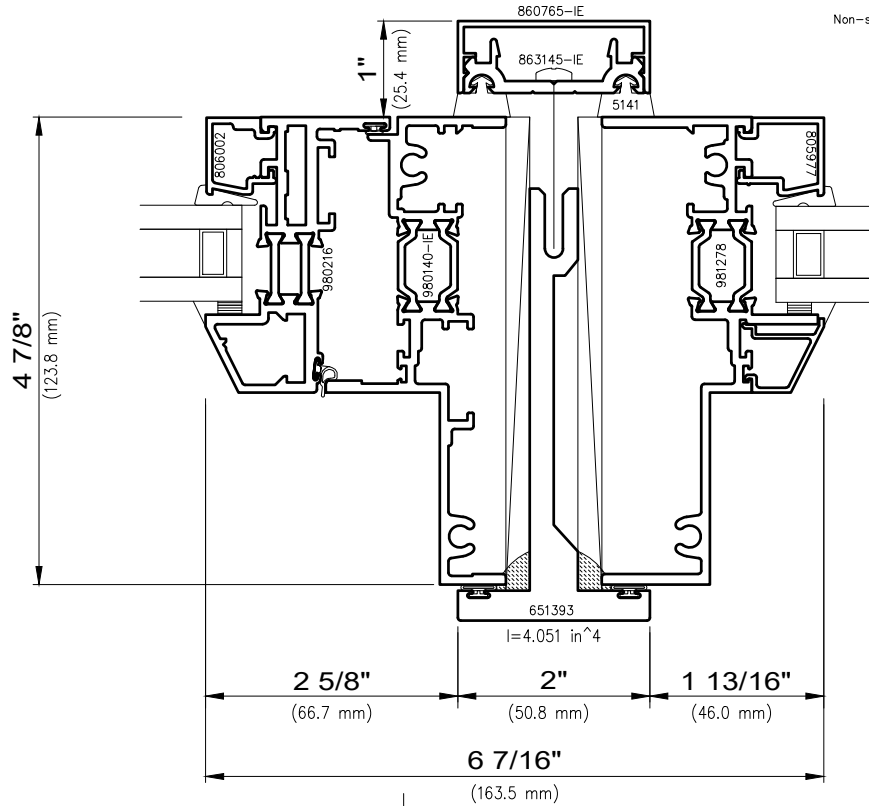
4250i-XLT INvent Retro simulated double hung windows in multiple bays must be used in conjunction with T-mullions or H-mullions. Side stacking jambs not available.



Architectural Windows

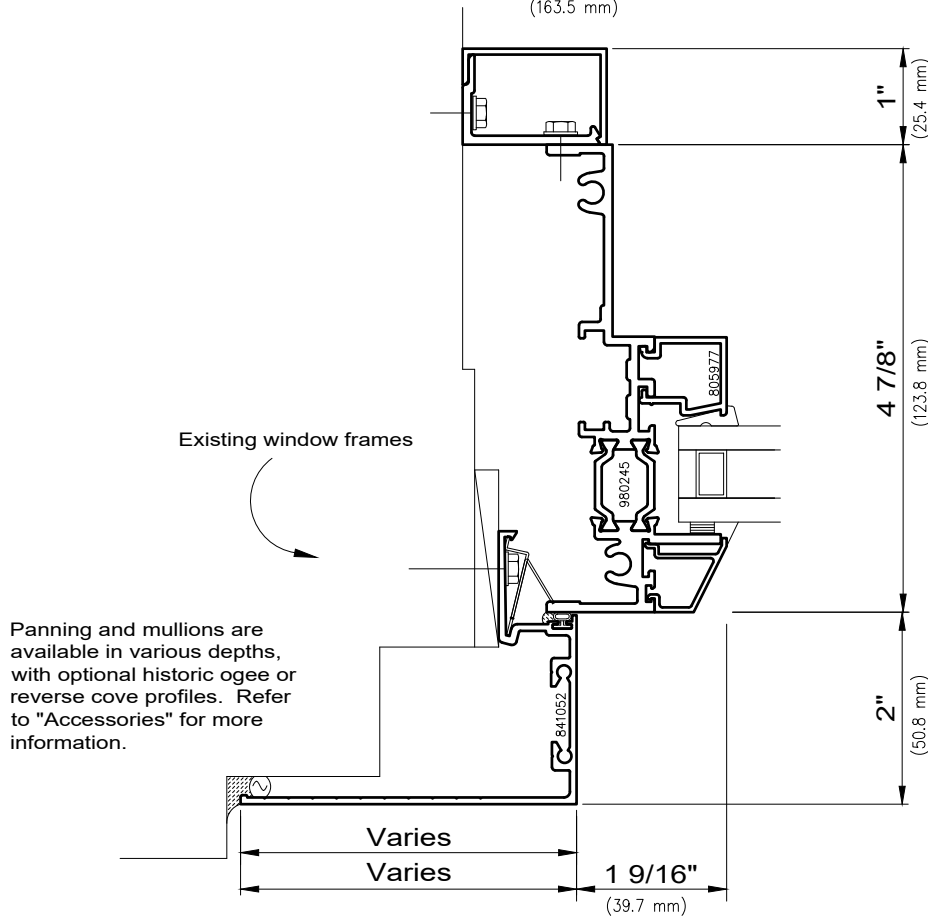
2250i/3250i/4250i INvent™ Retro -XLT Series

Non-stocked items shown - Minimum order quantity may apply



4250i-XLT INvent Retro simulated double hung windows in multiple bays must be used in conjunction with T-mullions or H-mullions. Side stacking jambs not available.

6



7



WAUSAU

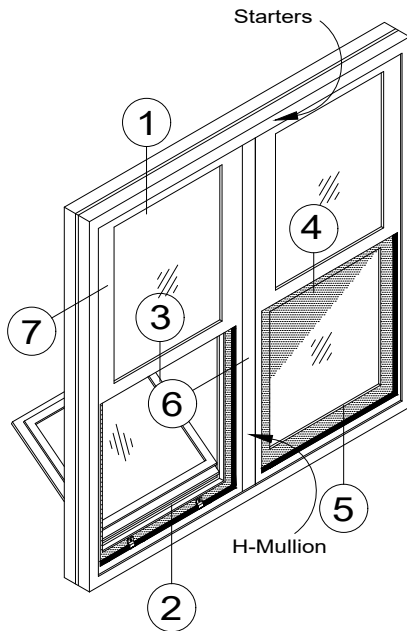
WINDOW AND WALL
SYSTEMS

Simulated Double Hung
Starters and H-Mullions

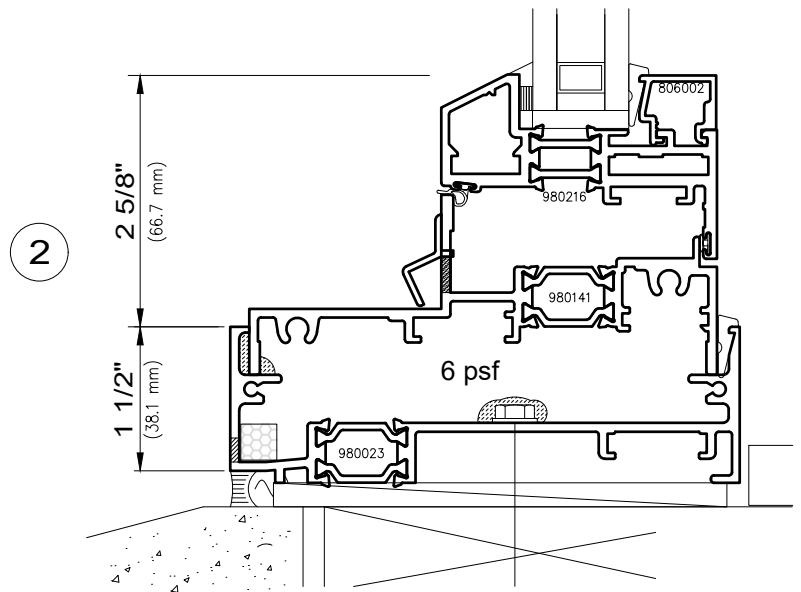
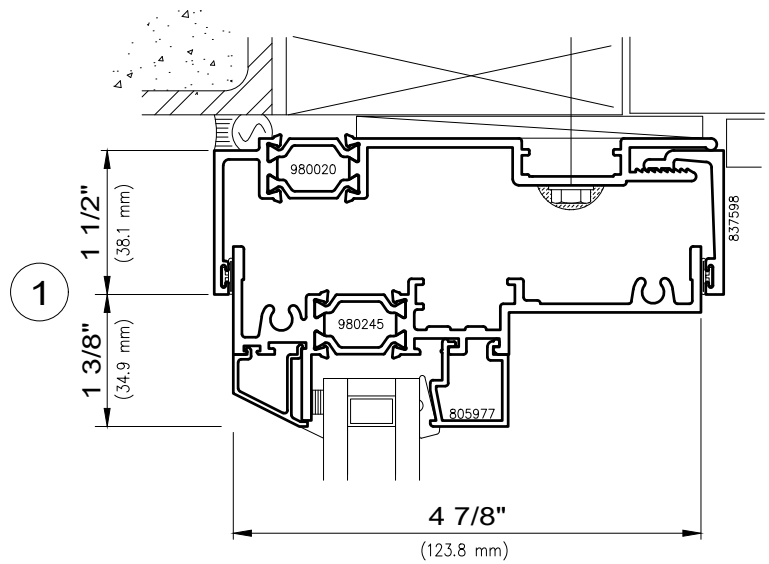
Architectural Windows

2250i/3250i/4250i INvent™ Retro -XLT Series

Head, jamb and sill starters are available in a number of face widths and water head heights. Please refer to "Series Accessories" for more information.



4250i-XLT INvent Retro simulated double hung windows in multiple bays must be used in conjunction with T-mullions or H-mullions. Side stacking jambs not available.





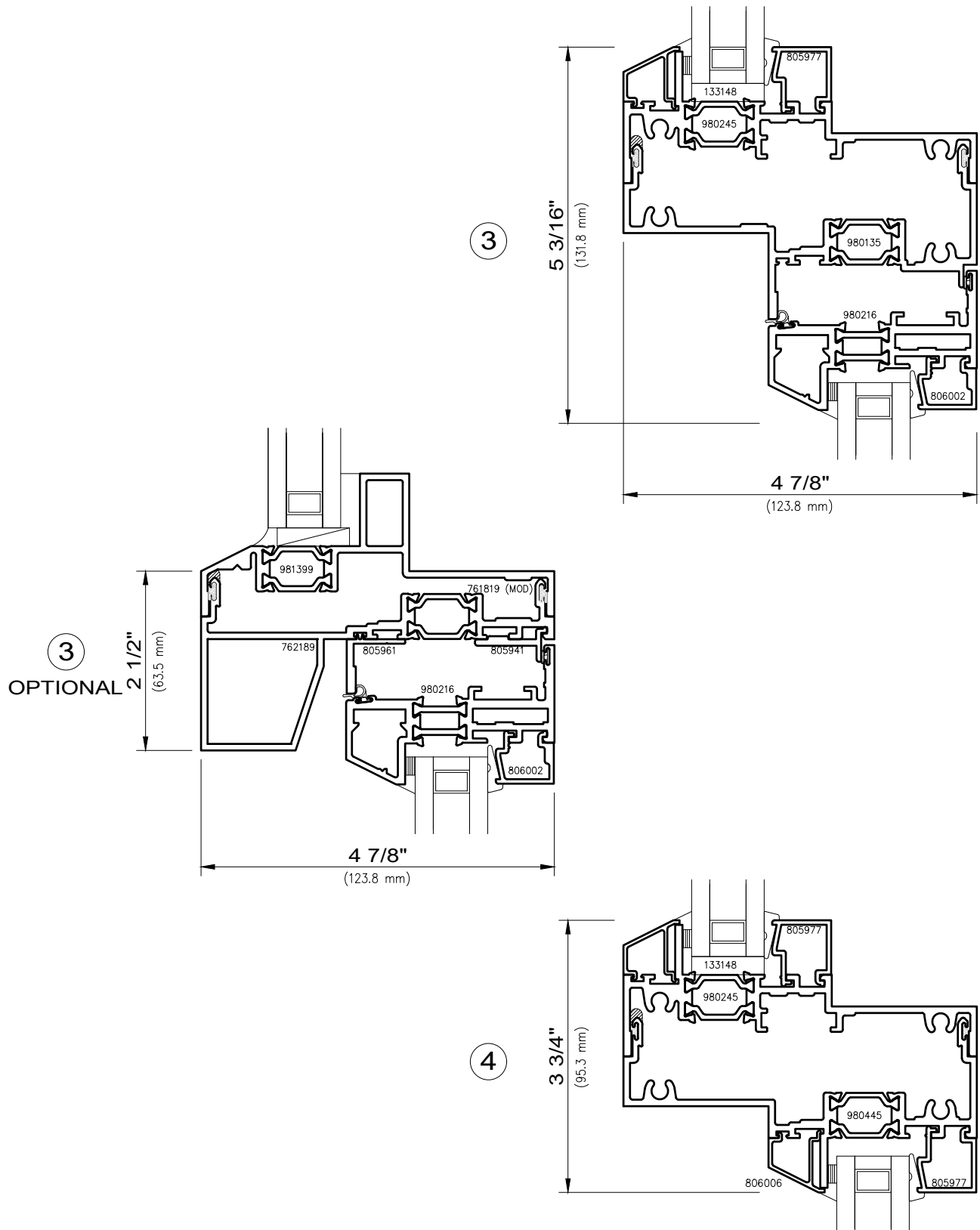
WAUSAU

WINDOW AND WALL
SYSTEMS

Simulated Double Hung
Starters and H-Mullions

Architectural Windows

2250i/3250i/4250i INvent™ Retro -XLT Series





WAUSAU

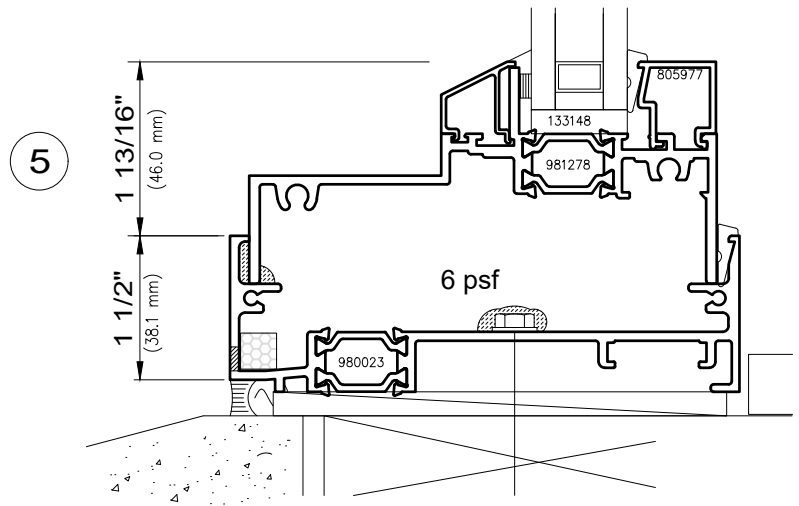
WINDOW AND WALL
SYSTEMS

Simulated Double Hung
Starters and H-Mullions

Architectural Windows

2250i/3250i/4250i INvent™ Retro -XLT Series

4250i-XLT INvent Retro simulated double hung windows in multiple bays must be used in conjunction with T-mullions or H-mullions. Side stacking jambs not available.





WAUSAU

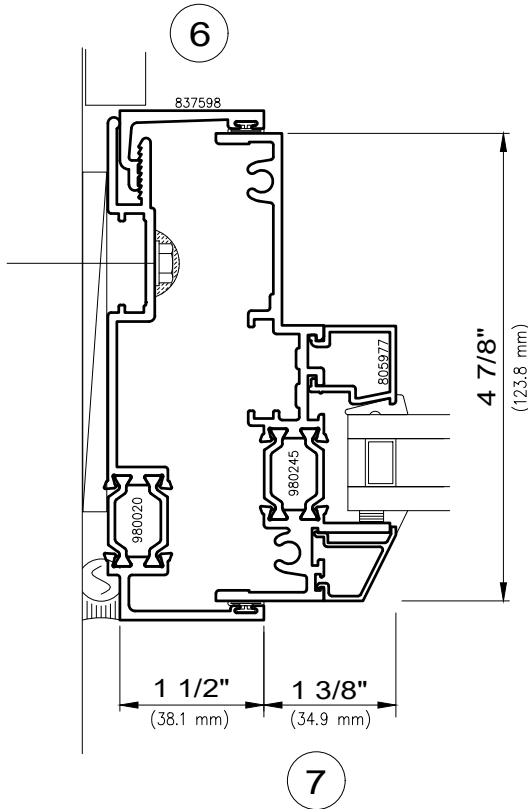
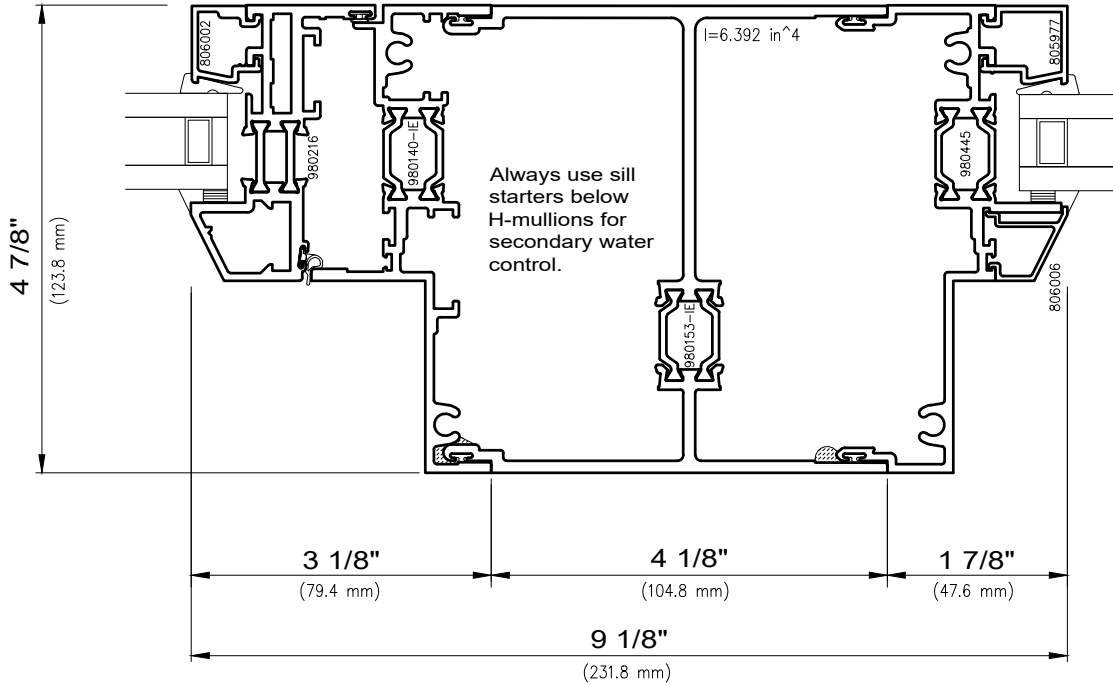
WINDOW AND WALL
SYSTEMS

Simulated Double Hung
Starters and H-Mullions

Architectural Windows

2250i/3250i/4250i INvent™ Retro -XLT Series

Non-stocked items shown - Minimum order quantity may apply
4250i-XLT Invent Retro simulated double hung windows in multiple bays must be used in conjunction with T-mullions or H-mullions. Side stacking jambs not available.



Head, jamb and sill starters are available in a number of face widths and water head heights. Please refer to "Series Accessories" for more information.



WAUSAU

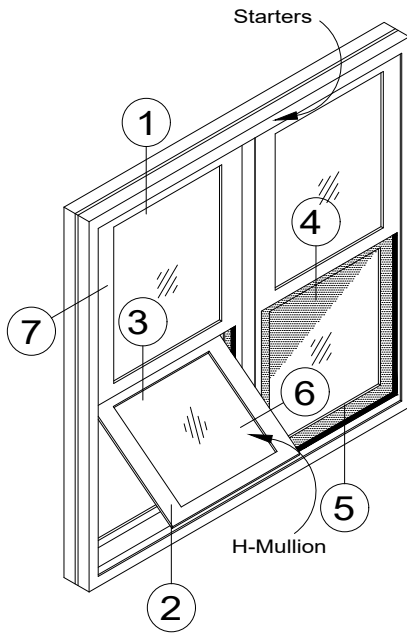
WINDOW AND WALL
SYSTEMS

Simulated Double Hung
Starters and H-Mullions

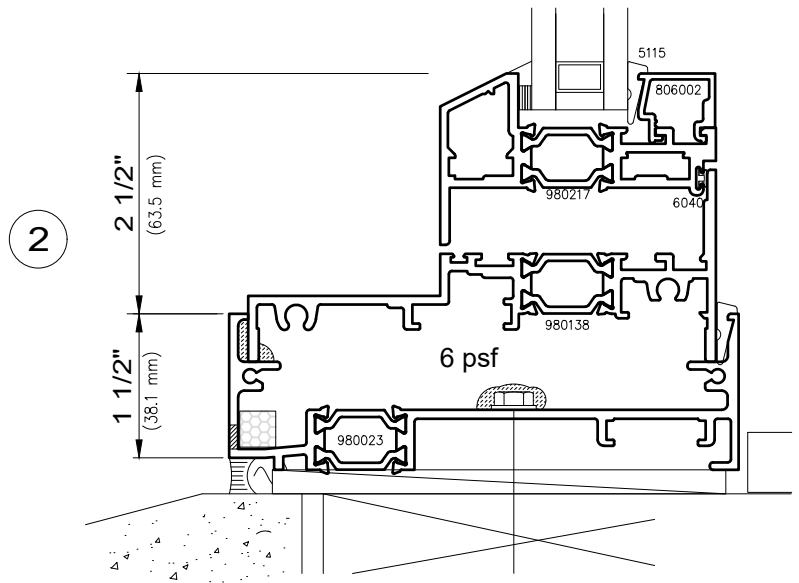
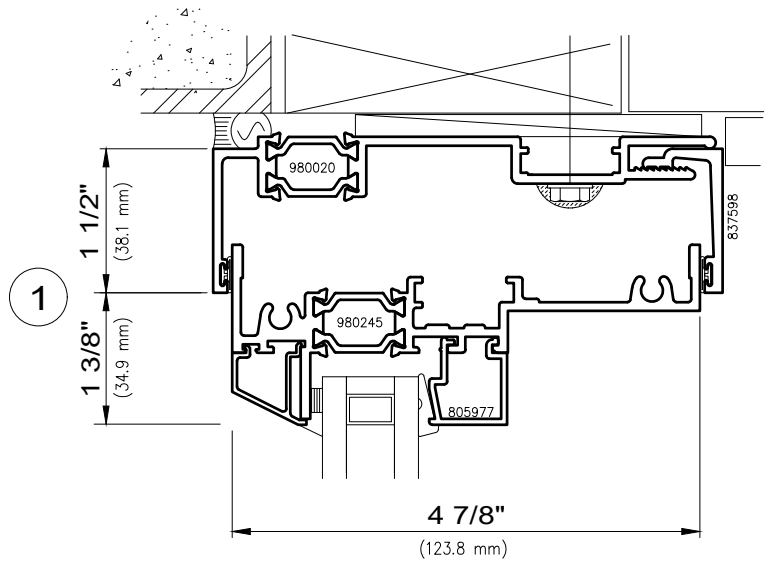
Architectural Windows

2250i/3250i/4250i INvent™ Retro -XLT Series

Head, jamb and sill starters are available in a number of face widths and water head heights. Please refer to "Series Accessories" for more information.



4250i-XLT INvent Retro simulated double hung windows in multiple bays must be used in conjunction with T-mullions or H-mullions. Side stacking jambs not available.





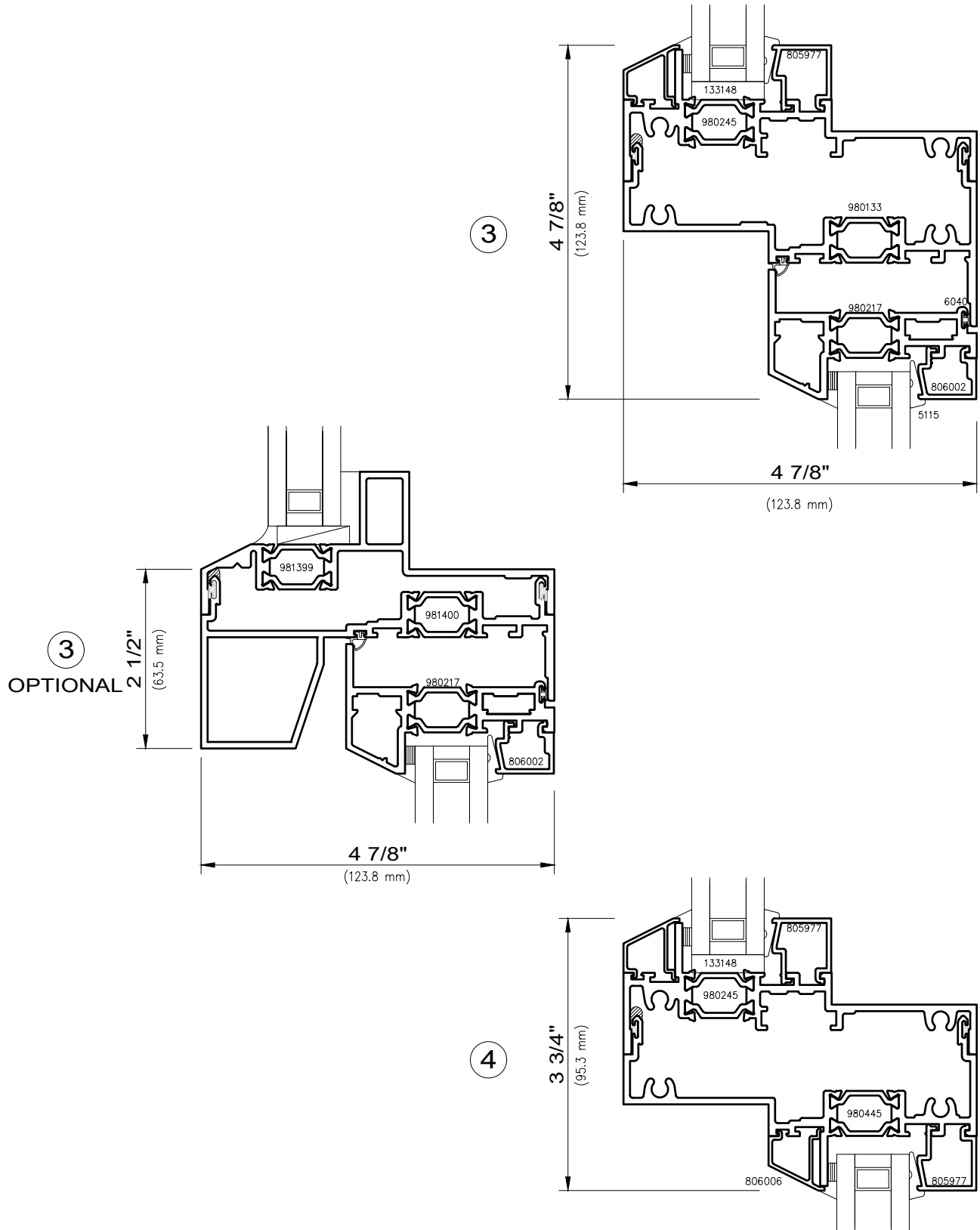
WAUSAU

WINDOW AND WALL
SYSTEMS

Simulated Double Hung
Starters and H-Mullions

Architectural Windows

2250i/3250i/4250i INvent™ Retro -XLT Series





WAUSAU

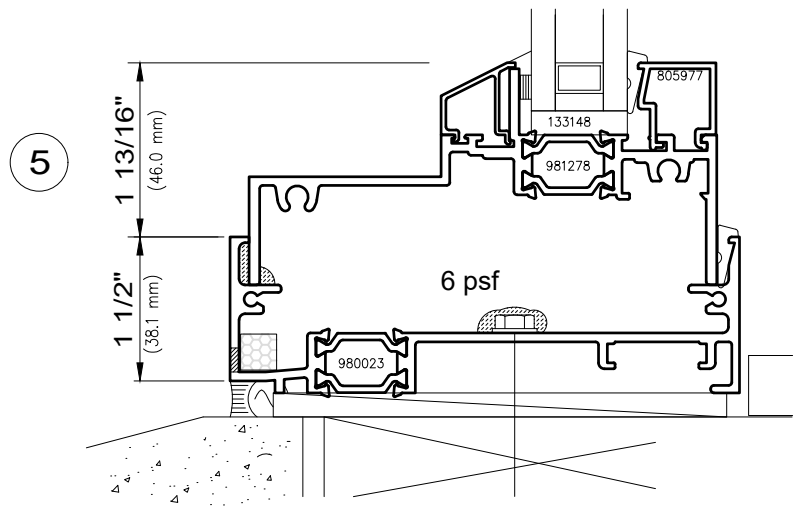
WINDOW AND WALL
SYSTEMS

Simulated Double Hung
Starters and H-Mullions

Architectural Windows

2250i/3250i/4250i INvent™ Retro -XLT Series

4250i-XLT INvent Retro simulated double hung windows in multiple bays must be used in conjunction with T-mullions or H-mullions. Side stacking jambs not available.





WAUSAU

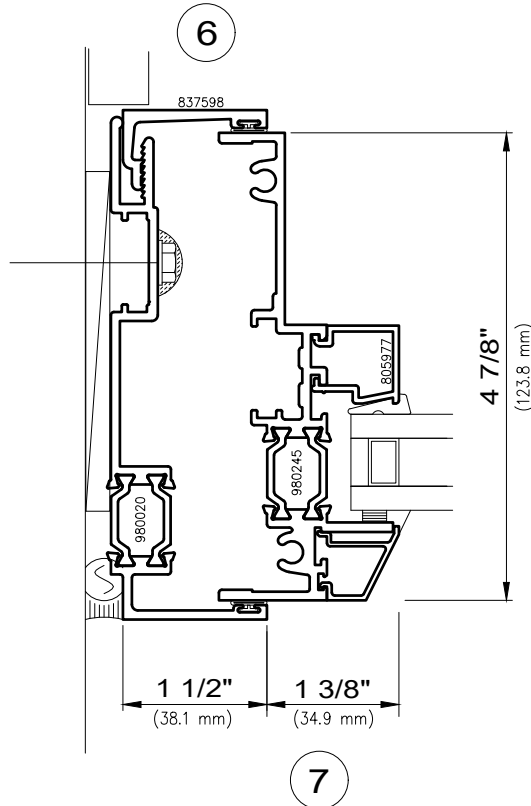
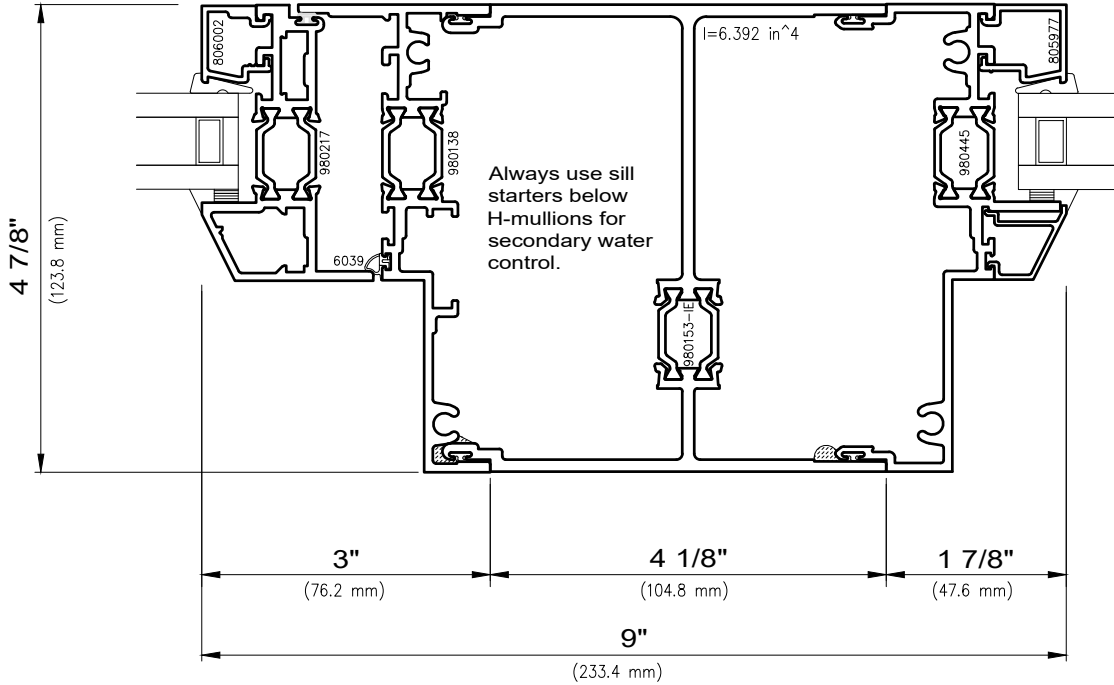
WINDOW AND WALL
SYSTEMS

Simulated Double Hung
Starters and H-Mullions

Architectural Windows

2250i/3250i/4250i INvent™ Retro -XLT Series

Non-stocked items shown - Minimum order quantity may apply
4250i-XLT INvent Retro simulated double hung windows in multiple bays must be used in conjunction with T-mullions or H-mullions. Side stacking jambs not available.

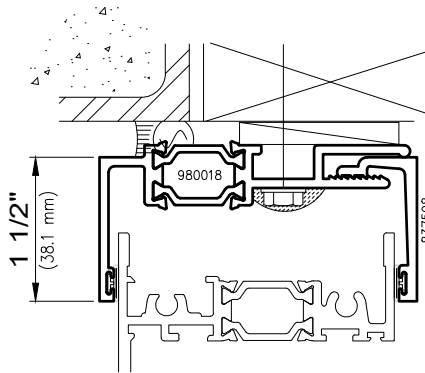


Head, jamb and sill starters are available in a number of face widths and water head heights. Please refer to "Series Accessories" for more information.

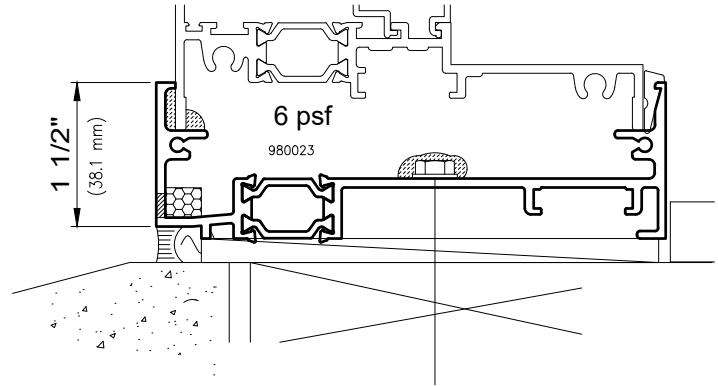


Architectural Windows

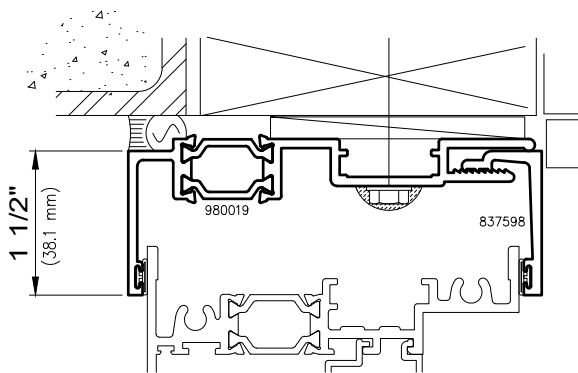
2250i/3250i/4250i INvent™ Retro -XLT Series



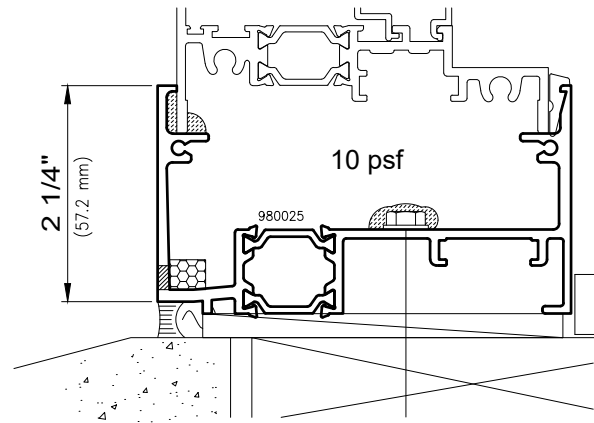
2250i Head & Jamb Starter



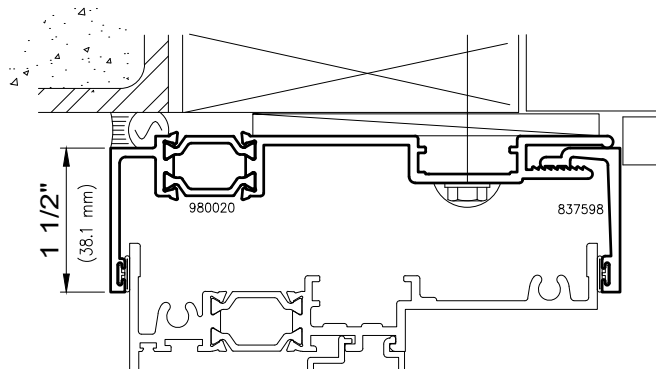
4250i-XLT Sill Starter



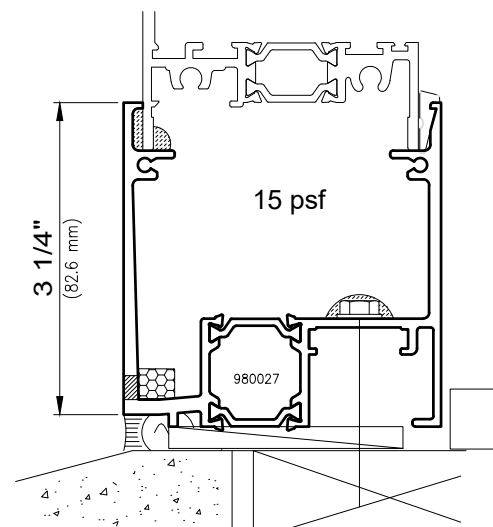
3250i-XLT Head & Jamb Starter



3250i-XLT Sill Starter



4250i-XLT Head & Jamb Starter



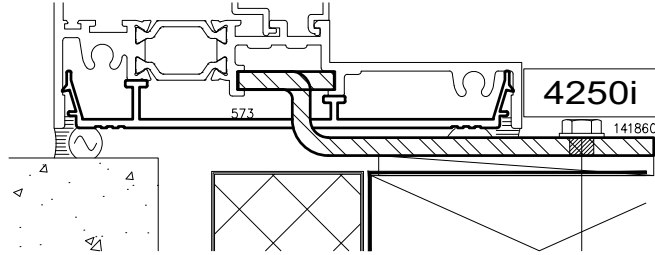
2250i Sill Starter

Value in psf Indicates Approximate Water Head (Without Pressure Equalization)
Other Sill Starters Available For Higher or Lower Water Test Pressures

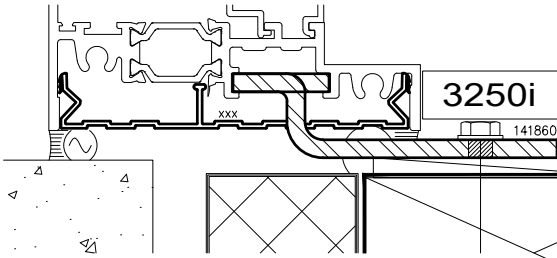


Architectural Windows

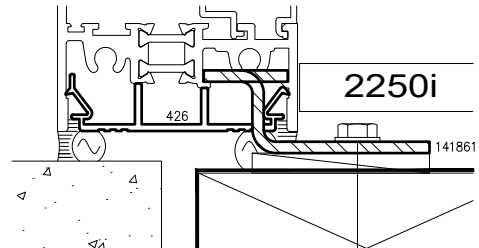
2250i/3250i/4250i INvent™ Retro -XLT Series



3/16" (nom.) Formed Steel

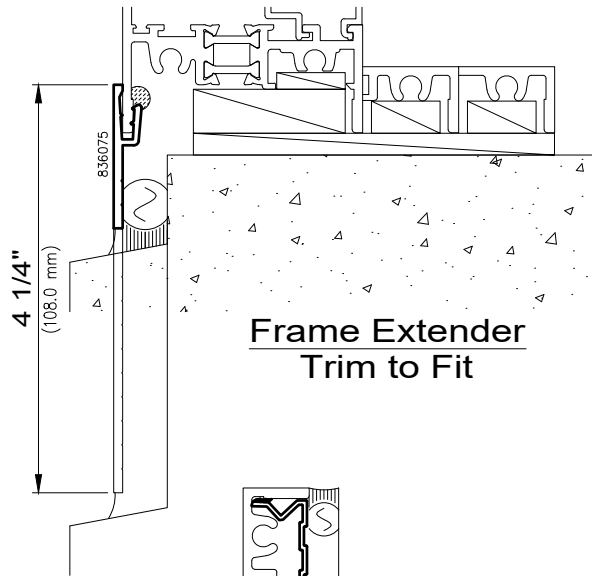


3/16" (nom.) Formed Steel

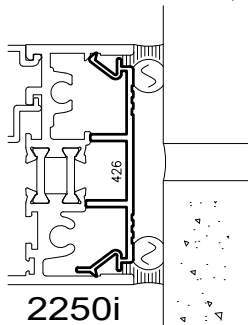


1/8" (nom.) Formed Steel

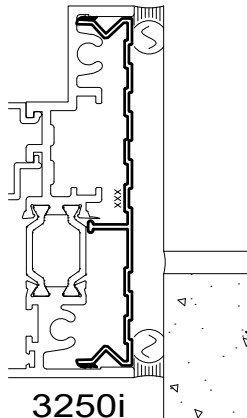
Slide-In Anchors



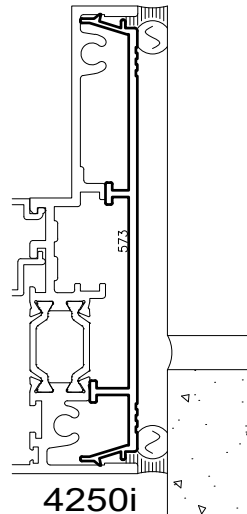
Frame Extender
Trim to Fit



2250i



3250i



4250i

PVC Caulk Backers



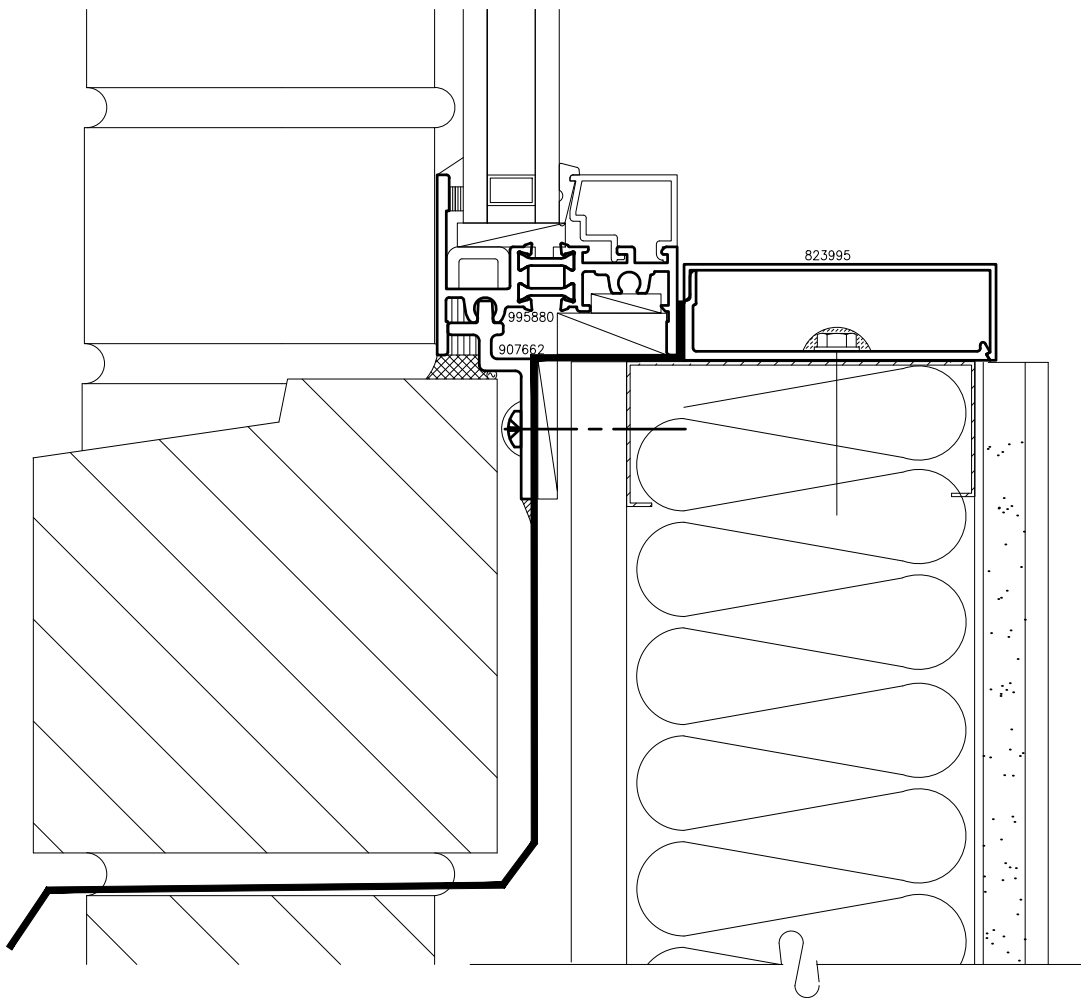
WAUSAU

WINDOW AND WALL
SYSTEMS

Accessories
Optional Nailing Fin Anchor

Architectural Windows

2250i/3250i/4250i INvent™ Retro -XLT Series



**Nailing Fin
Exterior Anchor**



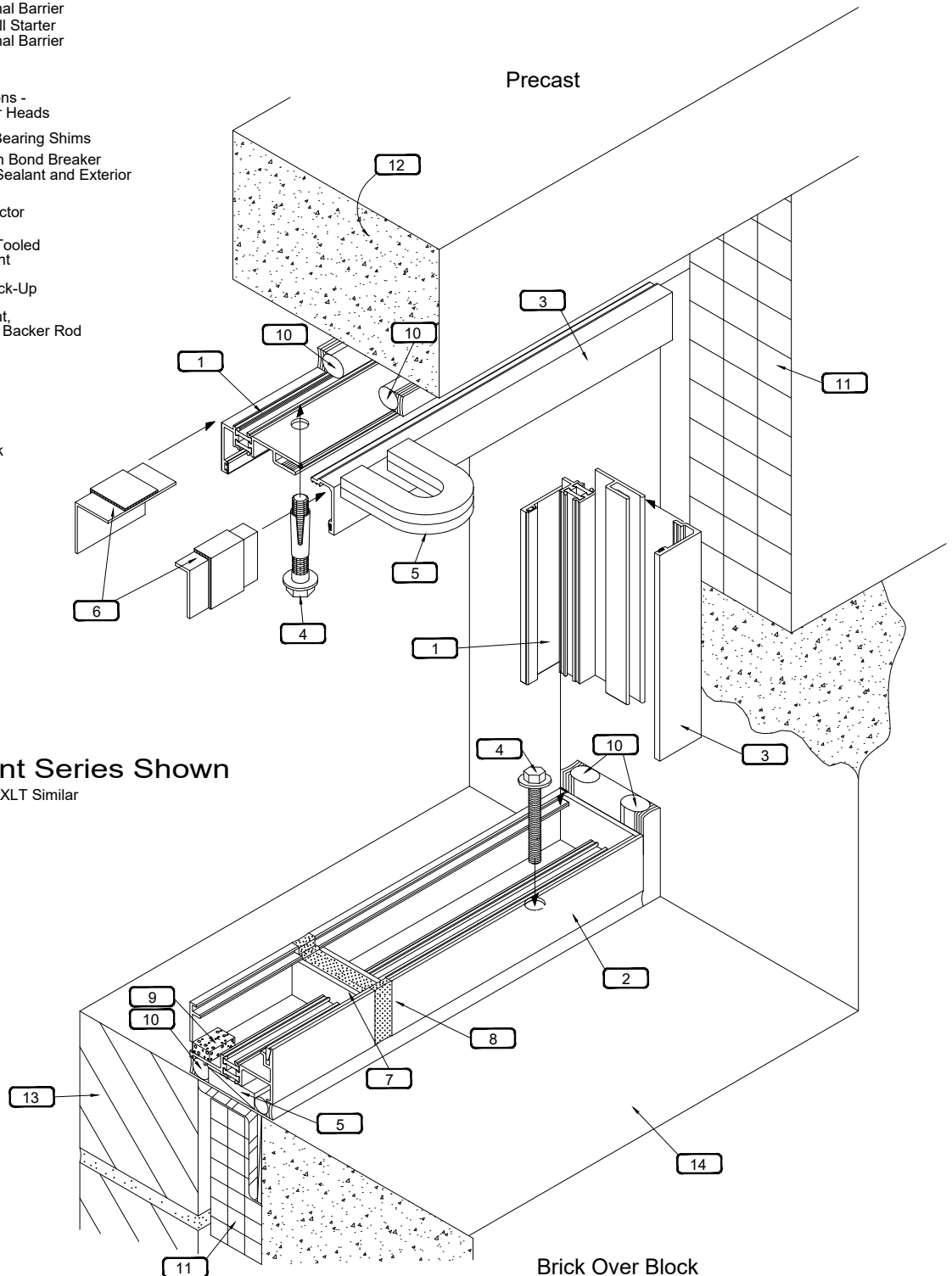
Architectural Windows

2250i INvent™ Series

Key:

- 1 Extruded Aluminum Head And Jamb Starter With Polyamide Thermal Barrier
- 2 Extruded Aluminum Sill Starter With Polyamide Thermal Barrier
- 3 Drive-On Starter Strip
- 4 Structural Attachment May Vary Per Conditions - Field Seal All Fastener Heads
- 5 Erector Installed Full-Bearing Shims
- 6 Aluminum Splices With Bond Breaker Tape - Erector Set In Sealant and Exterior Applied Sealant Joint
- 7 Aluminum Splice - Erector Set In Sealant
- 8 Erector Installed And Tooled Expansion / Splice Joint
- 9 Foam Baffle Weep Back-Up
- 10 Perimeter Sealant Joint, Specified Sealant And Backer Rod
- 11 Insulation
- 12 Stone Lintel
- 13 Brick
- 14 Interior Concrete Block

Note: Installation Conditions Vary...





Architectural Windows

2250i/3250i/4250i INvent™ Retro -XLT Series

- Frames**
- 1 Extruded Frame Extender (When Required)
 - 2 PVC Caulk Backer
 - 3 Specified Rod And Perimeter Sealant
 - 4 Erector Dead Load Shim
- Anchorage (Using Slide-In Anchors)**
- 5 Stainless Steel Fasteners Suitable For Substrate Material
 - 6 Steel Slide-In Anchor With Fasteners (When Required At 3 1/2" And 4 1/2" Depth Systems)
- Perimeter**
- 7 Brick
 - 8 Flashing
 - 9 Insulation
 - 10 Always Maintain Vapor Barrier Between Frame And Adjacent Walls
 - 11 General Contractor Provide Blocking To Secure Attachment Into Steel Studs
 - 12 Erector Installed Full-Bearing Shim

